

Liebherr Reachstacker

LRS 645

Litronic®

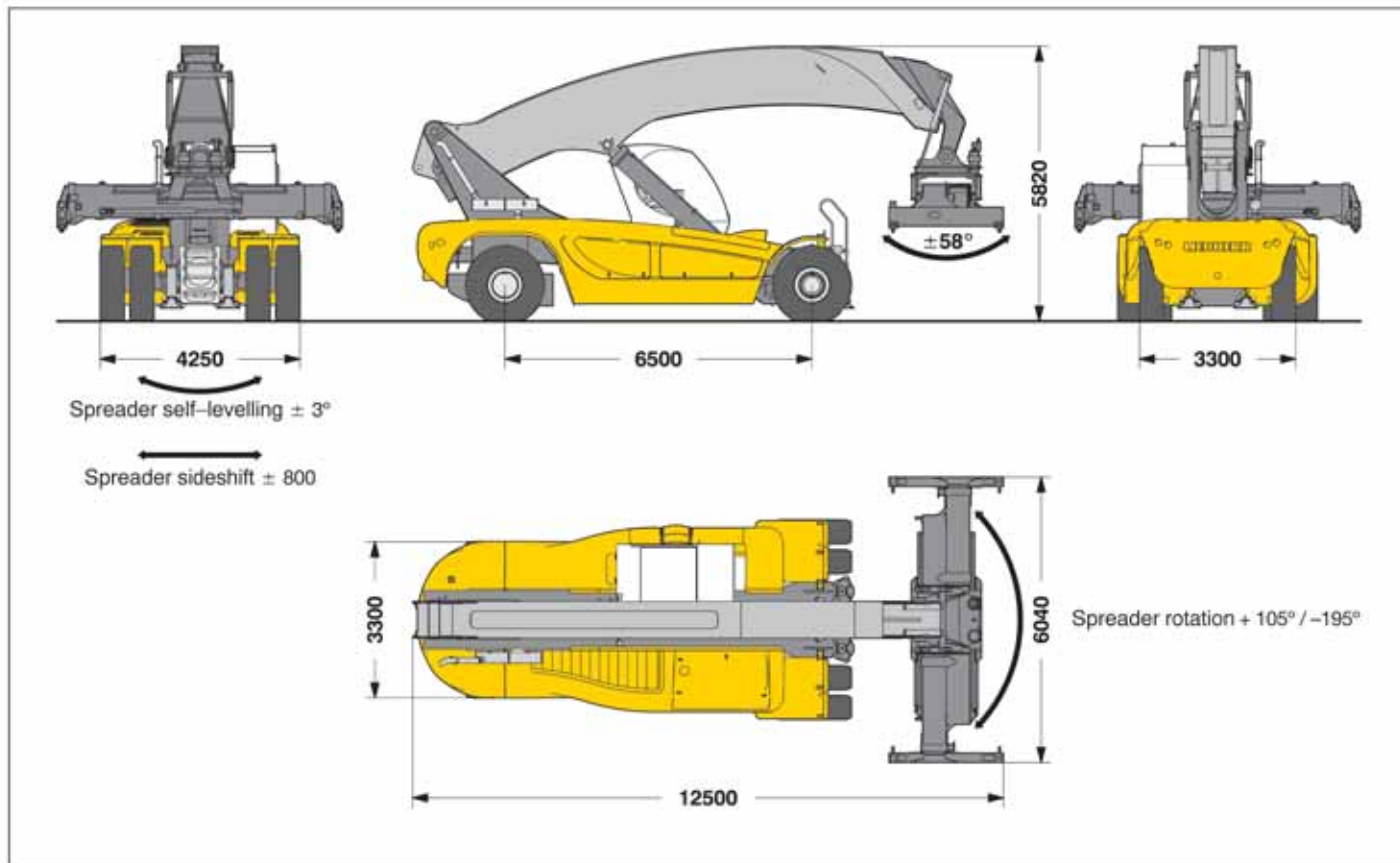
The latest design in reachstackers - totally manufactured by Liebherr.



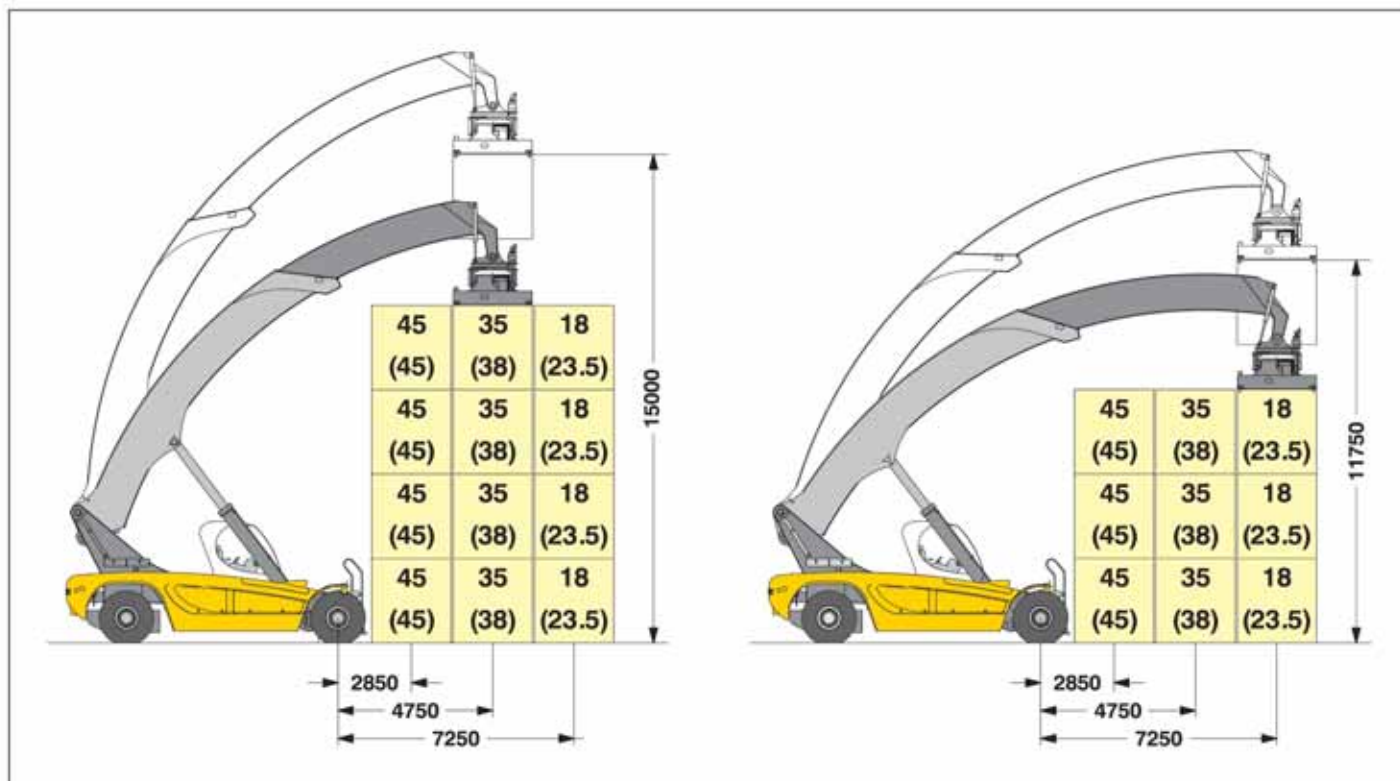
LIEBHERR

Dimensions

Basic machine

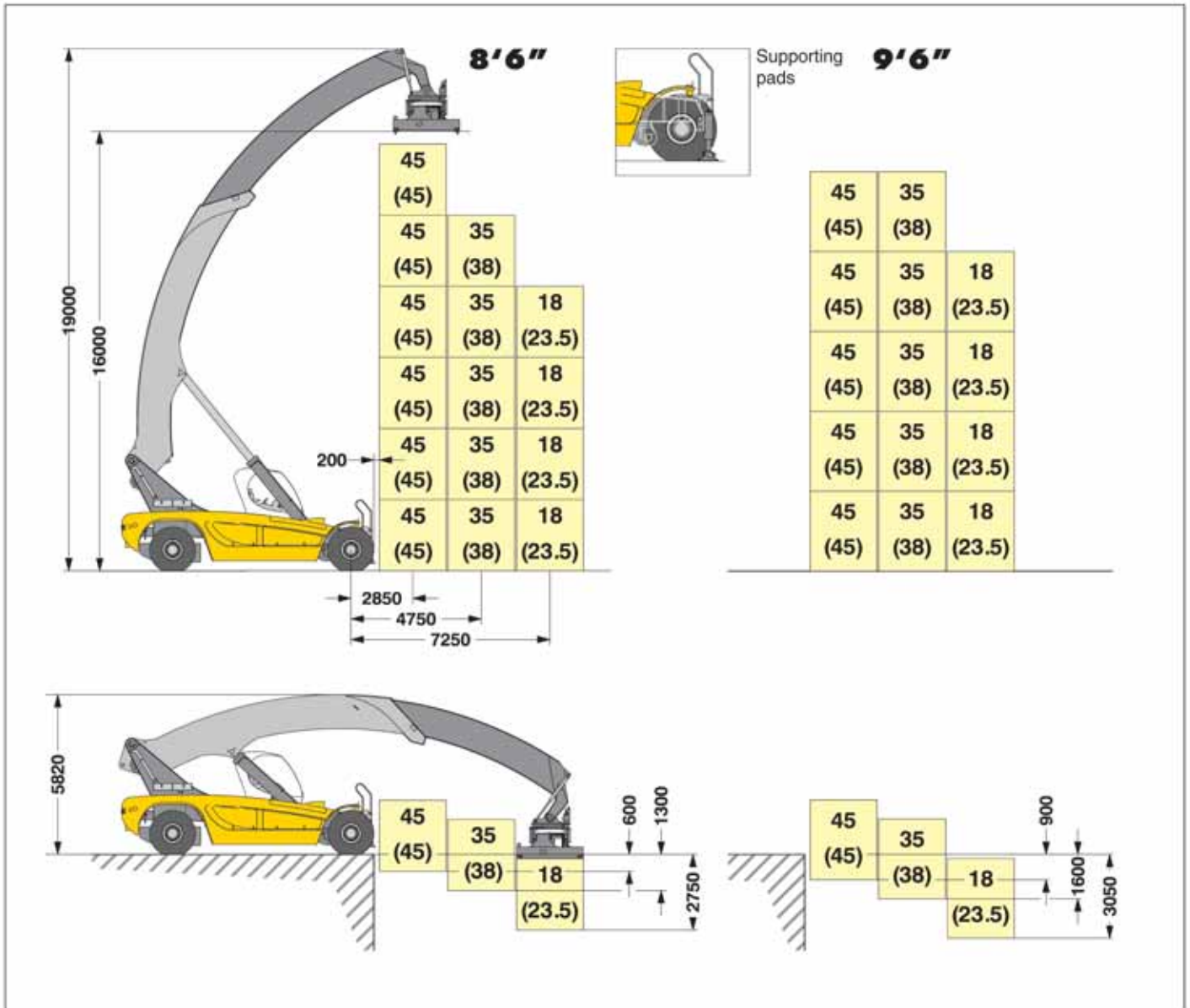


Container handling capacities

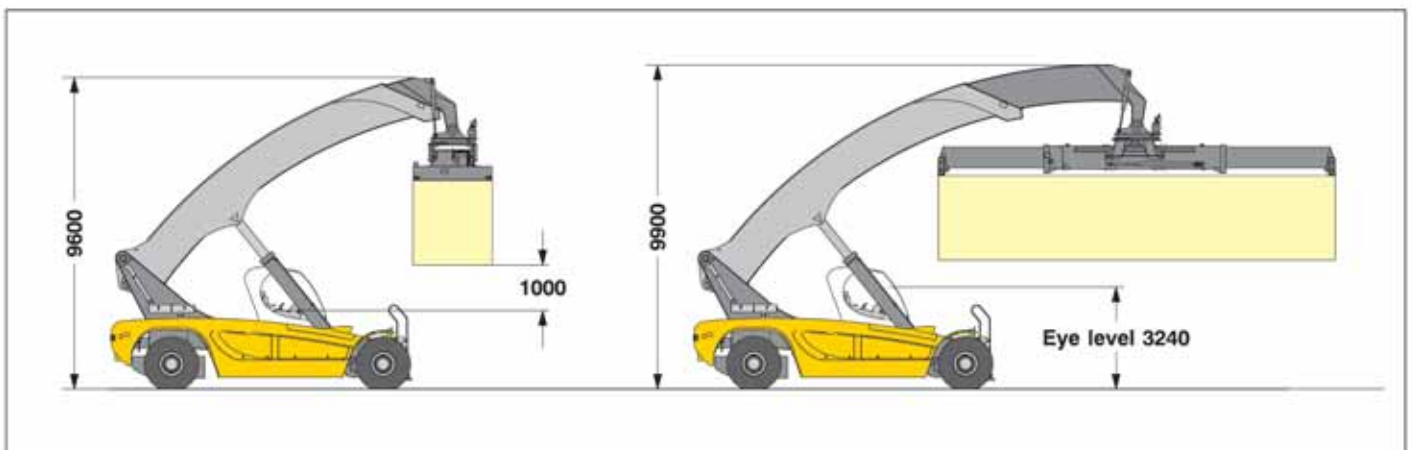


Load chart on wheels

() on supporting pads (optional)



Travelling mode



Liebherr Reachstacker Type LRS 645 Litronic®

- curve-shaped telescopic boom design allowing unrivalled reach
- optimum driver's comfort due to drive-by-wire technology and an outstanding suspension system
- extraordinary accessibility to service points and to the spreader
- highly effective engine output achieved by hydrostatic transmission
- worldwide service network

Lifting capacities

	Toplift	Intermodal
1./2./3. row (without supporting pads)	45/35/18 t	45/31/14 t
1./2./3. row (on supporting pads)	45/38/23.5 t	45/34/19.5 t

Stacking capacities

	Toplift	Intermodal
1./2./3. row (8'6")	6/5/4	5/5/4
1./2./3. row (9'6")	5/5/4	5/4/3

Working speeds

Lifting speed full load 1st row	0.30 m/s
Lowering speed full load 1st row	0.50 m/s
Driving speed unloaded	25 km/h
Driving speed rated load	20 km/h

Transmission

Manufacturer	Liebherr
Type	fully hydrostatic
Acceleration/Deceleration	stepless
Operational brake	hydrostatic

Engine

Power rating	270 kW (362 HP) at 2000 rpm
Engine type	Liebherr D 936 L
Fuel tank	600 l

Weights

	Toplift	Intermodal
Total weight of the reachstacker	70.8 t	75.3 t

Chassis

Length overall	12500 mm
Width (f/r)	4250/3300 mm
Height	5820 mm
Turning radius outer 40°	9830 mm
Wheel base	6500 mm
Ground clearance	300 mm
Material housing	GFRP (Glass-Fibre Reinforced Plastic)

Driver's environment

Cabin dimensions	2500 x 1300 x 2000 mm
position	left
suspension	high-grade damping system
Travelling	drive/steer-by-wire (joysticks)
Control system	Litronic®

