

REACHSTACKERS 40 – 45 TONNES.
TECHNICAL INFORMATION
KALMAR INTERMODAL HANDLER, DRF.



POWERFUL INTERMODAL HANDLING.

Fast and efficient Intermodal handling requires a machine that can manage several tasks with power, speed, and precision.

Intermodal handling is characterised by several modes of transportation meeting in one geographical point such as the transfer of containers and trailers between rail, road and water. A reachstacker is perfectly suited for all kinds of handling that can occur on an Intermodal site with high demands on efficiency and low operational cost.

The Reachstacker machine type is well adapted to all kinds of diversified Intermodal handling, from one-unit operations to medium sized transfer terminals with high demands of versatility and flexibility.

A reachstacker can also be a perfect supplement to the terminals existing fleet of other machines. It can be put in operation at short notice to reduce bottlenecks because it masters most of the occurring tasks in the terminal.

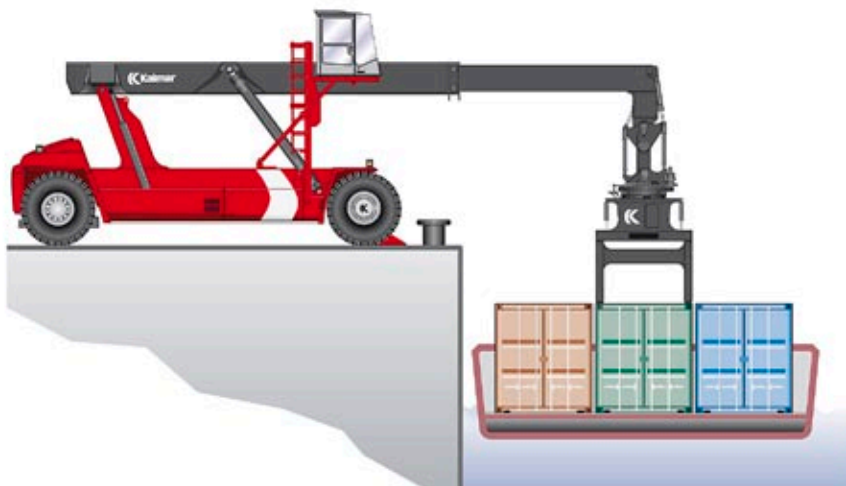
With its advanced lifting equipment, boom and attachment, this type of machine manages to handle both containers and trailers so there won't be any loss in production due to conversion.

When handling containers the top lift function will be used and the unit will be operated as a reachstacker dedicated for top lift container handling. Apart from that the unit can handle a trailer in first and second rail by using the lifting legs for bottom lift.

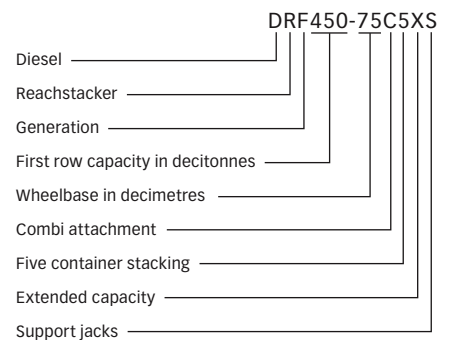
Container transport on canals and rivers by barge is an environmental-friendly and growing transport mode. The considerable capacity at long load centres and the option to get an extended boom nose facilitates handling of containers when loading/unloading a barge. The extended nose makes it possible to pick containers below ground level when the machine is placed on the quay-edge. The unit can reach up to three containers deep from its position.

Small external dimensions in proportion to capacity, good manoeuvrability combined with an extensive degree of freedom allowed by the lifting equipment make few operations too heavy or too complicated. By using the lifting equipment to get in position instead of adjusting the position of the machine, the wear on the unit and the ground surface will be minimal. This will also improve the work efficiency.

Any driver with the ability to take advantage of the machines versatility and power will find a flexible tool for Intermodal handling at lowest possible operating and maintenance costs.



MODEL DESIGNATION



MAXIMUM LIFTING CAPACITY IN CONFINED SPACES.

The chassis and lifting equipment have been newly developed to ensure the best possible performance, strength and userfriendliness. The nature of the working environment and capacity requirements at different load centres determine which reachstacker model that is the most suitable.

LIFTING BOOM

The lifting boom carries the weight of the load. The design has been optimised using computer simulations and extensive field tests. The powerful execution in high tensile steel has a minimal number of welds for maximum strength. The boom and the lifting cylinders are fitted on the frame with spherical plane thrust bearings. The width of the rear fixture (boom suspension) increases the overall rigidity and the visibility backwards.

The boom has two sections, the inner and outer boom. The sliding plates between the inner and outer boom don't require lubrication. The cable-chain, which leads hydraulic hoses and cabling to the attachment, is made of maintenance-free plastic.

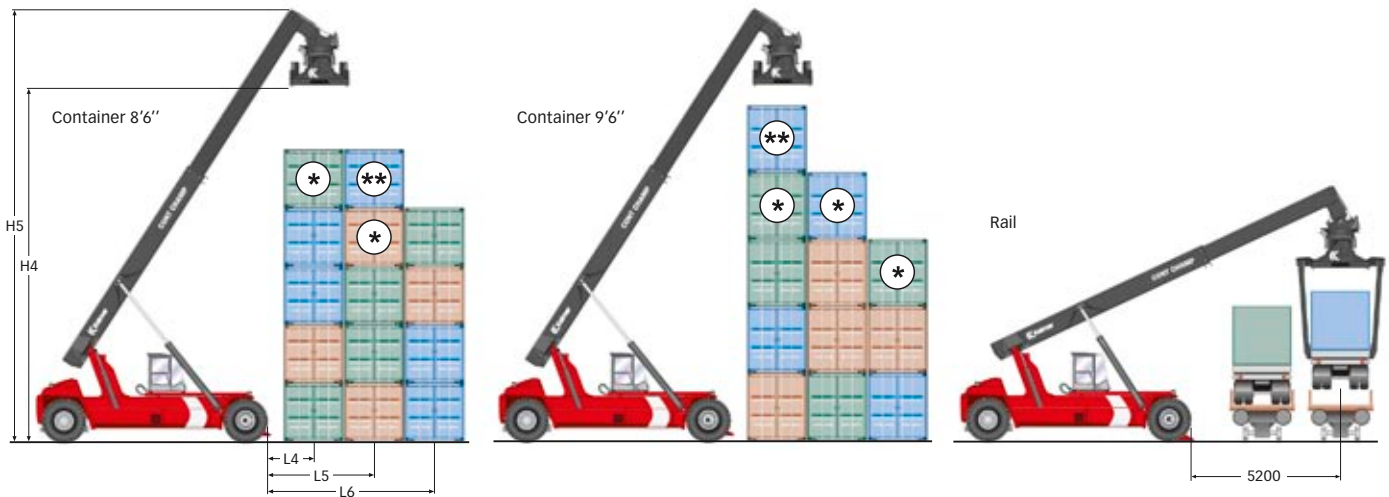
LIFTING BOOM HYDRAULICS

Oil is fed to the boom functions by load sensing pumps. To reduce pressure drops, wide hydraulic hoses have been used for the boom functions. A wider hose produces a lower flow rate with the same volume, thereby reducing friction and heat development. The blocking valves on the lifting and extension cylinders block the oil flow when the boom functions are not in use, which secures the boom position. The base of the

lifting cylinders has a new design that produces smooth stopping and starting movements. The boom's lifting and extension motions are damped in the end positions for reduced wear and greater comfort.

ROTATOR

The rotator is fixed in the inner boom and enables the container to be rotated. The rotator consists of an upper and a lower yoke joined with a powerful bearing. Rotation is enabled by two hydraulic motors, which drive a gear-ring. Two hydraulic dampers help prevent the container from swinging lengthwise. The damping cylinders can also be used to tilt the attachment via hydraulic pressure.



CAPACITY	Container 8'6"			Container 9'6"			Rail	Lifting height		Load centre		
	1:st row	2:nd row	3:rd row	1:st row	2:nd row	3:rd row	2:nd row	H4 (mm)	H5 (mm)	L4 (mm)	L5 (mm)	L6 (mm)
DRF400-60C5	38*/40	25**	10	37**/40*	25*	10*	15	14900	18100	1965	3815	6315
DRF450-60C5X	42*/45	32**	14	41**/44*/45	32*	14*	20	15000	18200	1865	3815	6315
DRF450-65C5X	42*/45	33**/34*	16	41**/44*/45	34*	16*	22	15000	18200	1865	3815	6315
DRF450-70C5X	45*	36**/38*	20	43**/45*	37*/38	20*	-	14900	18200	1865	3815	6315
DRF450-70C5XS	45*	36**/38*	20	43**/45*	37*/38	20*	26	14900	18200	1865	3815	6315
DRF450-70C5XS (SJD)	45*	36**/38*	27	43**/45*	37*/38	27*	32	14900	18200	1865	3815	6315
DRF450-75C5XS	45*	40**/42*/43	24	45**	41*/43	24	30	15000	18400	1865	3815	6315
DRF450-75C5XS (SJD)	45*	40**/42*/43	32	45**	41*/43	32*	37	15000	18400	1865	3815	6315

(SJD) = Support jacks down
For more detailed information please advice the technical Data Sheet

COMBI ATTACHMENT

With a combined top- and bottom lift attachment the machine can handle both containers and trailers without any adjustments.

When handling containers the top lift function is used. The attachment is then firmly attached to the container during lifting. This is done with four twist-locks which rotate, thereby gripping the container’s corner fittings. The attachment can easily be adapted to different container standards. A hydraulic motor drives the spreader function via chains.

The lifting legs mounted on the attachment are especially adapted for bottom lift of trailers, with dimensional positions, according to international standards. The legs can easily be lowered down when needed. Front and rear legs can be lowered independently of each other when loading. Its strike plates fit into the bottom lift pockets of the trailer. For safe trailer handling sensors are fitted on the strike plates, and a indication lamp panel tells the operator when the load is secured.

Independently if you handle containers or trailers the load can be shifted sideways to facilitate loading and unloading or to balanced uneven loads. The hydraulic levelling ensures that twist-locks or strike plates find their right locations if the load is leaning. Four hydraulic cylinders perform the hydraulic levelling.

ATTACHMENT AND ROTATOR HYDRAULICS

The functions are fed with a constant pressure, which means there is no pumping of hydraulic oil when the functions are not in use. One valve serves all the hydraulic functions on the attachment. The valve ensures that each hydraulic function is fed the exact amount of oil needed to optimise the speed of the functions’ movements. The top lift functions are damped in its end positions.

The trailer legs’ hydraulic cylinders are fed from the single valve that controls all functions of the attachment via two additional directional valves. The directional valves controls one pair of legs each, left respectively right side. Hydraulic cylinders performs the lowering and clamping functions.

CHASSIS

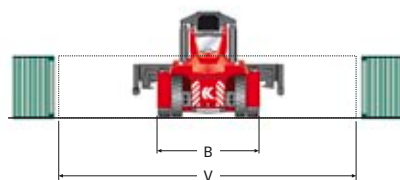
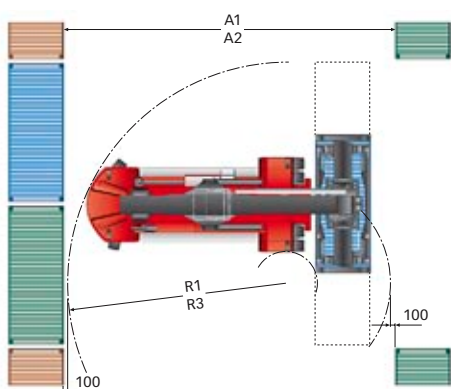
The frame forms the basis of the machine’s lifting and manoeuvring characteristics. The frame’s beam construction, along with its width, makes the reachstacker stable, torsion resistant and service-friendly.

Firstly, a large number of computer simulations have been run in order to eliminate critical tensions under various kinds of strain. The simulations were characterised by uncompromising demands on the fundamental principles of stability, manoeuvrability and visibility. Secondly, the machine has been tested extensively in the field to fully ensure its dynamic strength.

The reachstacker is available with a variety of wheelbases to fulfil demands on lifting capacity in relation to manoeuvrability and operating economy in the best way.

INCREASED CAPACITY

In some cases, high capacity requirements in the second and third container row, or on the far rail track, call for the benefit of support jacks. In other cases, it may be the restricted handling space that determines the most suitable model.



MODEL	Aisle width (mm)		Turning radius (mm)		Main dimensions (mm)					Wheels	Service weight (kg)
	A1 - 20 ft	A2 - 40 ft	R1 - 20 ft	R3 - 40 ft	B	V	L	H3	Clearance		
DRF400-60C5	11200	13600	8100	9400	4150	6055-12185	11200	4500	250	18.00x25/40	72700
DRF450-60C5X	11200	13600	8100	9400	4150	6055-12185	11200	4600	300	18.00x33/36	81100
DRF450-65C5X	11600	13600	8500	9400	4150	6055-12185	11700	4600	300	18.00x33/36	80500
DRF450-70C5X	12100	13600	9000	9400	4150	6055-12185	12200	4700	300	18.00x33/36	82800
DRF450-70C5XS	12100	13600	9000	9400	4150	6055-12185	12200	4700	300	18.00x33/36	84200
DRF450-75C5XS	12500	13600	9400	9400	4150	6055-12185	12700	4750	300	18.00x33/36	88100

NO MACHINE IS BETTER THAN ITS DRIVER.

Kalmar's goal while developing the cabin has been to assure the driver the best conceivable safety, ergonomics and visibility.

SOUND AND VIBRATION

The cabin is separately suspended and isolated from the frame with powerful rubber dampers. Effective shock absorption minimises vibration. The cabin is fitted with insulation material both inside and out. The maximum noise level inside the cabin is 72 dB (A) measured according to DIN45635.

ERGONOMICS

Controls and instruments are intuitively positioned and work the way a driver would expect. Search lights in the buttons and switches make them easy to identify and use, even in darkness.

In the centre above the steering wheel is a display showing operating information, warning messages, fault codes etc. To the left of the display is the panel for warning and indication lamps.

The driver's seat and control lever for the lifting functions can be adjusted to the optimum individual driving position. The pedals are designed for high comfort, with a hanging accelerator. The internal dimensions are otherwise generous, offering an open floor space.

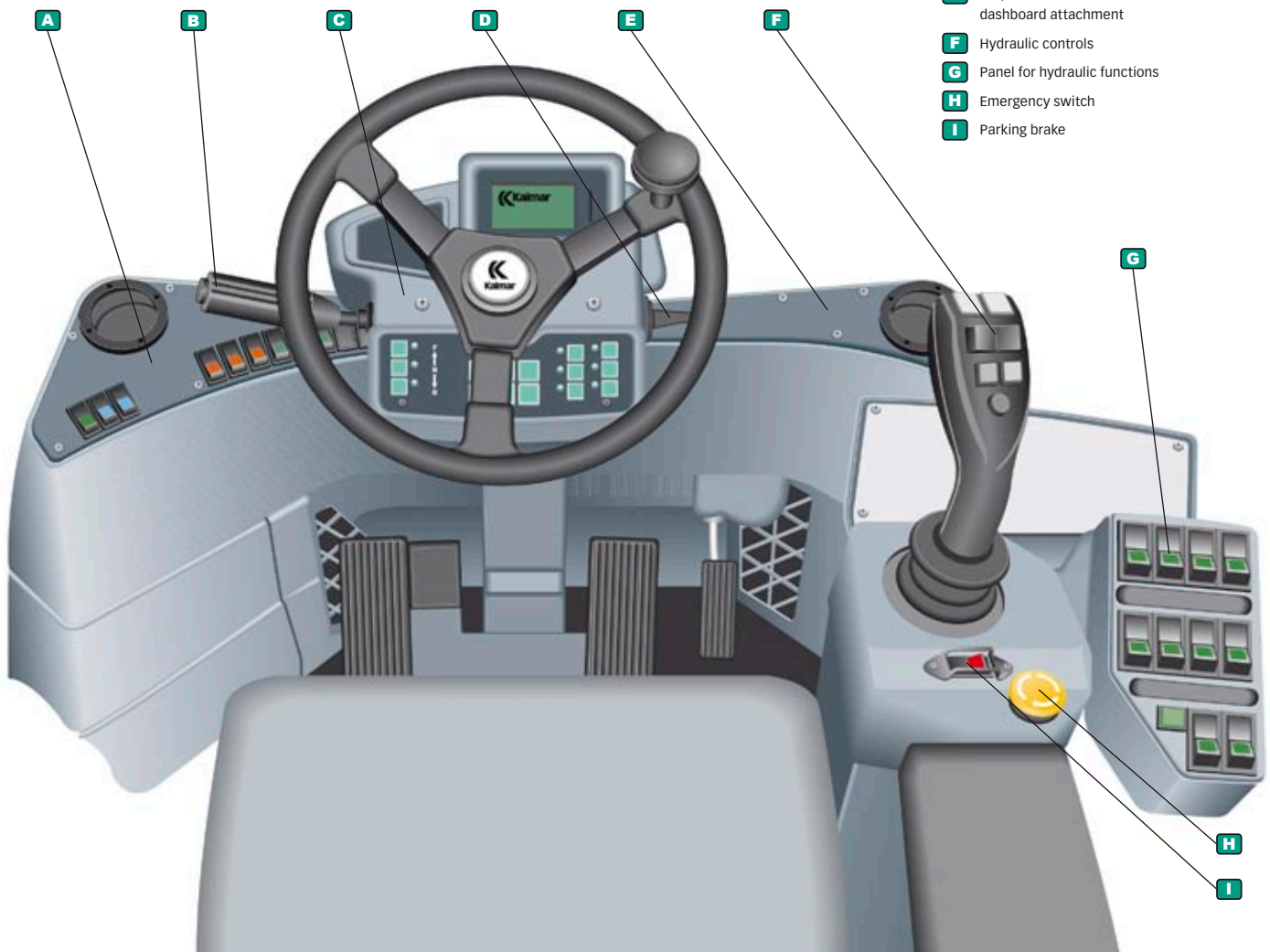
CLIMATE

An electronic controlled heating and ventilation system comes as standard, as do filters for fresh air and re-circulation. An air cooling system comes as an standard. The cooling

system provides a good cooling effect, even in extremely high temperatures. A pollen filter is available as an optional extra.

HYDRAULICALLY MOVABLE CABIN

To enhance the overall visibility a movable cabin can be fitted as optional extra. Either hydraulically sliding or elevating cabin can be chosen. The cabin movements are controlled from the panel for hydraulic functions.



- A** Left instrument panel
- B** Gear selector and multi-function lever
- C** Steering wheel panel
- D** Direction indicators
- E** Prepared for terminal and dashboard attachment
- F** Hydraulic controls
- G** Panel for hydraulic functions
- H** Emergency switch
- I** Parking brake

PERFORMANCE IS THE RESULT OF HOW WELL THE MACHINE'S FUNCTIONS WORK TOGETHER.

In intermodal handling are all about machine versatility, strength and manoeuvrability. For easy shifting from one type of operation to another all functions must work perfectly independent of situations. Lifting places heavy demands on the engine and working hydraulics, but lifting is only part of the operating cycle. Before the machine is in position to load or unload, the demands are instead on precise control with tight turning radius, effective brakes and high pulling power. And of course, all the functions must still perform optimally even after heavy use.



TRANSMISSION

The transmission transfers power from the engine to the hydraulic pumps and drive line. The engine and gearbox control systems work together to find the optimum balance between power and fuel economy at any given point.

The transmission system consists of a torque converter and a gearbox. The same gearbox is used whichever engine is chosen. The gearbox is automatic, but can partly be shifted manually. The torque converter is a hydraulic coupling positioned between the engine and gearbox. The gearbox and torque converter work together via a joint hydraulic system.

BRAKES

The brake circuit is separated from the hydraulic system and has its own tank, cooler and high-pressure filter. A temperature transmitter in the separate tank regulates the cooler fan.

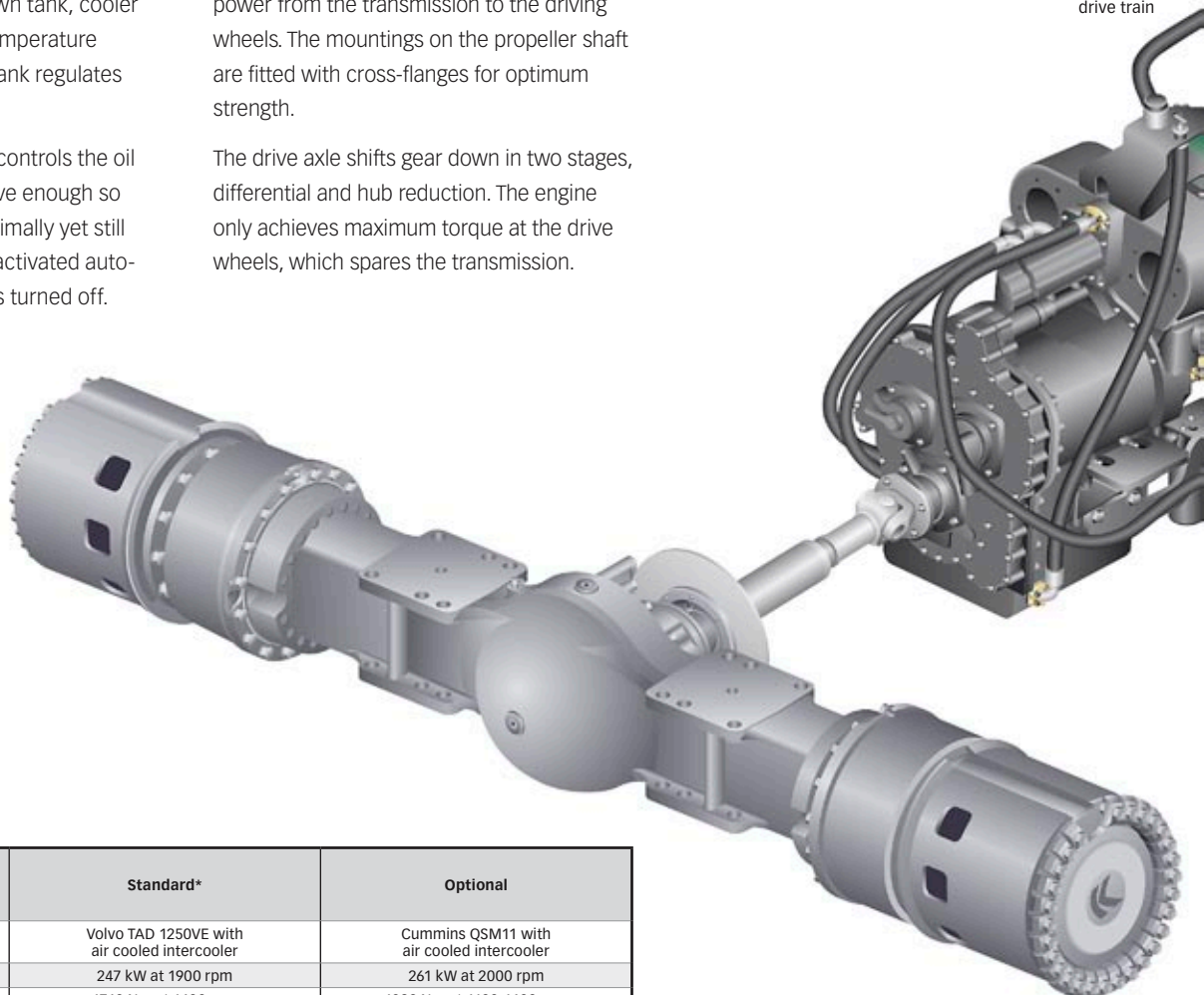
The foot-brake valve, which controls the oil feed to the brakes, is sensitive enough so that the driver can brake optimally yet still gently. The parking brake is activated automatically when the ignition is turned off.

DRIVE LINE

The propeller shaft and drive axle transfer the power from the transmission to the driving wheels. The mountings on the propeller shaft are fitted with cross-flanges for optimum strength.

The drive axle shifts gear down in two stages, differential and hub reduction. The engine only achieves maximum torque at the drive wheels, which spares the transmission.

Standard drive train



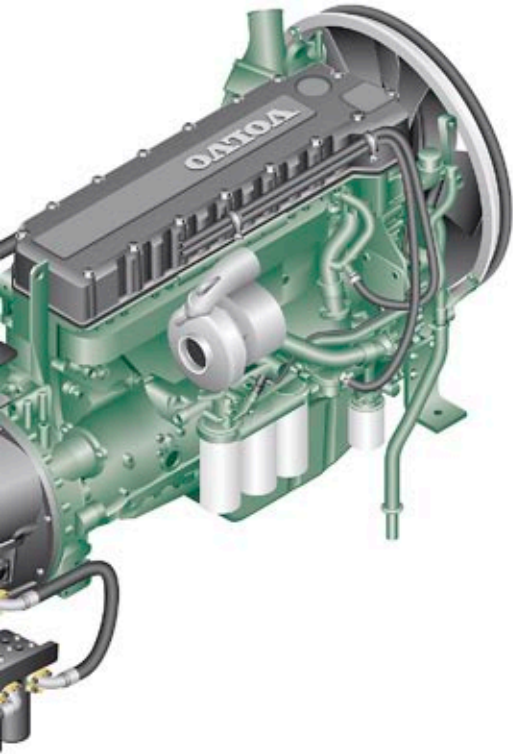
DRIVE TRAIN		Standard*	Optional
Engine	Manufacturer Model	Volvo TAD 1250VE with air cooled intercooler	Cummins QSM11 with air cooled intercooler
	Power	247 kW at 1900 rpm	261 kW at 2000 rpm
	Peak torque	1760 Nm at 1400 rpm	1830 Nm at 1100-1400 rpm
Transmission		Dana – 15.7TE32418	Dana – 15.7TE32418
Driving axle		Kalmar WDB	Kalmar WDB

* Stage 2 and Tier 2 outside US and EU

ENGINE

A Volvo engine is standard. Cummins is available as optional extra. The engine provides power for driving and the working hydraulics. The engines are low-emission turbo diesels with unit injectors and intercoolers.

The design of the combustion vessels, along with the precise fuel injection control, ensures more efficient combustion. Emissions decrease, while power and torque increase. The engines fulfil the requirements of 97/68*2004/26 EC stage 3, US EPA Tier 3.



The engine and transmission cooler is a single unit that uses the same fan. The engine cooler's separate expansion vessels are fitted with a level transmitter that indicates low coolant level.

When the engine temperature is too high or the coolant level or oil pressure too low, the engine's power output is actively reduced. Should the oil pressure fall below a certain level, the fuel feed to the engine is cut off automatically.

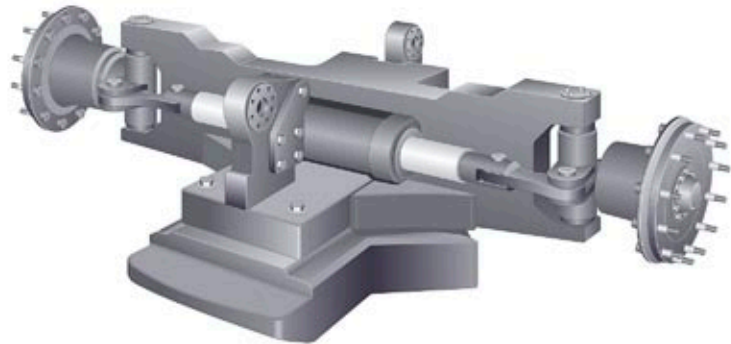


Cummins QSM11 with air cooled intercooler can be fitted as optional extra.

STEERING SYSTEM

The steering axle has been cut from a single piece of robust steel, which means as few maintenance-requiring parts as possible and high structural strength. In the suspension points on the steering axle, a maintenance-free plastic material has been used.

The hydraulics that feed oil to the steering cylinder is optimised for enhanced driving sensation. Orbitrol and the priority valve jointly provide gentle yet precise steering movements.



The new steering axle has few maintenance-requiring parts and high structural strength.

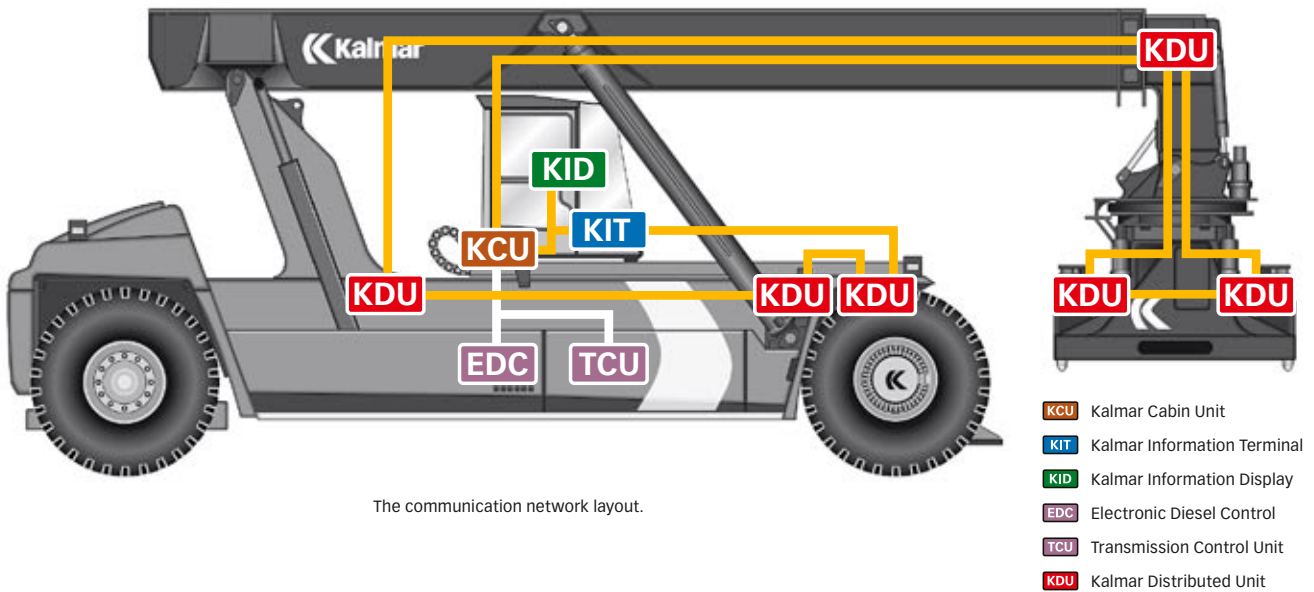
PERFORMANCE	Lifting speed (m/s)		Lowering speed (m/s)		Driving speed (km/h)		Grade ability (%)			Draw pull(kN)
	unloaded	at 70% of rated load	unloaded	at rated load	unloaded (F/R)	at rated load (F/R)	at 2 km/h, unloaded	at 2 km/h, at rated load	max, unloaded	max
DRF400-60C5	0,42	0,25	0,36	0,36	25/25	21/21	36	21	39	370
DRF450-60C5X	0,42	0,25	0,36	0,36	27/27	21/21	28	18	40	320
DRF450-65C5X	0,42	0,25	0,36	0,36	27/27	21/21	28	18	40	320
DRF450-70C5X	0,42	0,25	0,36	0,36	26/26	20/20	27	17	39	320
DRF450-70C5XS	0,42	0,25	0,36	0,36	26/26	20/20	26	16	38	320
DRF450-75C5XS	0,41	0,24	0,35	0,35	25/25	19/19	25	15	35	320

THE DISTRIBUTED AND REDUNDANT CONTROL SYSTEM.

For the reachstacker to work perfectly a robust communication network is needed, along with a system that gives the functions power.

Two things are needed for a command initiated by the driver to result in a particular function, or for several functions to work together: power-feed and communication.

The power-feed supplies the machine's electrical and electrohydraulic functions with voltage, while the communication system controls and checks that the functions have been activated, waits in standby mode or indicates a fault.



COMMUNICATION

The distributed power-feed and communication network consists of electrical components and a microcomputer-based system for controlling and monitoring the reachstacker's functions.

The most important components in the network are the control units (nodes). They distribute control of the machine's functions. Each node has its own processor. The nodes integrate with each other and all communication; control signals and signal information are sent via data buses.

The nodes transmit their signals in messages on the network. Each message contains several signals and has its own address. Any units that need to know the status of a signal listen out for the address of the signal's message. All the nodes in the network listen to each other.

CAN-bus is a two-wire transfer of data and a definition of a bus type. CAN-bus technology has been chosen because it provides a reli-

able, robust transfer of data and is difficult to disrupt. CAN-bus loops have been used in Kalmar machines since 1995.

The greatest benefit of using CAN-bus technology is that the amount of cabling can be reduced. All that is needed to establish communication are two data-bearing leads and two leads for feeding the nodes' processors. The network loop for both the CAN-bus and the nodes' processor feed are redundant.

The Kalmar Cabin Unit (KCU) is the control node for the entire network. There are several nodes, called KDUs (Kalmar Distributed Units), in the network. Each node is positioned near to the functions it is designed to deal with. With certain optional equipment, further nodes (KDUs) are connected to the existing network near to where the specific functions are located.

The Transmission Control Unit (TCU), which is the gearbox node, deals with the gearbox.

The unit is connected in a separate CAN-bus loop with the EDC engine node (Engine Diesel Control) and KCU. The engine node controls the fuel injection and receives its control signals from its own transmitters on the engine.

POWER SUPPLY

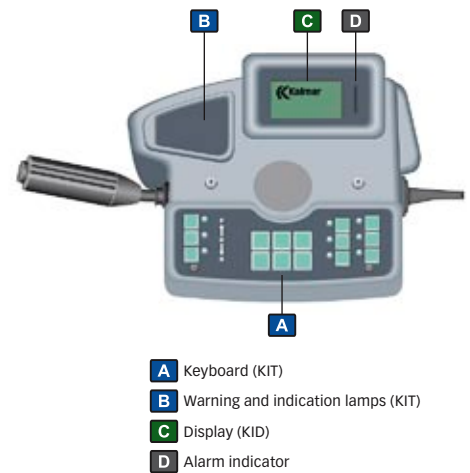
Power-feed for the functions differ from the feed required for communication and feeding of the nodes' processors.

Each distribution unit (node) in the distributed network is fed voltage from one of the power distribution boxes. The distribution boxes are located inside the cabin and on one side of the frame. The distribution units (nodes) guide power from the distribution box to the required functions based on the instructions in the messages from the communication network.

CONTROL FUNCTIONS

The driver and machine communicate via the Kalmar Information Terminal (KIT) and the Kalmar Information Display (KID). Control signals initiated by the driver are transferred to the KCU, which handles all incoming signals from the controls in the cab, and sends messages out into the communication network.

The system also distributes information to the driver such as alarm warnings, operating details and action-guided information. In these cases, messages are sent from one of the nodes in the network, captured by the KCU, and then presented in the KID or the panel for warning and indication lamps. The KID shows information from the control units in the form of messages, status, fault indication etc.



RELIABILITY

High reliability is achieved by reducing the number of components and ensuring each individual component maintains a consistent high quality.

One of our guiding principles in designing the reachstacker was to minimise the number of potential sources of error. Therefore, the machine consists of as few components and moving parts as possible. The functionality and operational reliability of each component is assured by extensive testing.



THE MACHINE'S STRUCTURE

Kalmar has been making reachstackers since the mid-1980s. There are a lot of Kalmar machines around the world, used in all kinds of climates. Overall, this has helped build our completely unique experience of this machine type. The machine's lifting equipment, frame and structure has been fine-tuned over the years, and today we can offer the best balance of performance and operational reliability in the machine's mechanical components and structure.

HYDRAULIC COMPONENTS AND COUPLINGS

The number of hydraulic components and hydraulic couplings has been minimised. The main valve has an integrated servo, which helps increase control of the oil flow

and keep the number of components to a minimum.

The boom's lifting and extension cylinders are fitted with double gaskets. Moreover, the machine is fitted with extremely reliable, well-sealed ORFS (O-Ring Face Seal) couplings in all the hydraulic hoses as standard.

TEMPERATURE CONTROL AND HYDRAULIC CLEANLINESS

In order to maintain optimum functionality in the hydraulic system even under extreme operating conditions, cleaning and cooling of the hydraulic oil is highly efficient. The brake circuit is separated from the rest of the hydraulic system and is fitted with its own cleaning process and cooling system.

REDUNDANT COMMUNICATION NETWORK

A network of distributed control units (nodes) using limited cabling and fewer couplings, meaning fewer sources of error.

The power-feed for each node is independent of the other nodes, which help prevent other nodes from being disrupted, should one stop working. The same applies to the transfer of control signals. Both the power-feed and control signal transfer are redundant, so that power or signals always have two paths to choose for maintaining communication, thus offering extra safety and reliability.

SERVICE FRIENDLY.

Few, short stoppages for service and maintenance minimise loss of production time.

In the longer term, the reachstacker's reliability is a crucial parameter in the overall handling economy. At the same time, each machine must be service-friendly so it can be maintained and repaired quickly and easily, thereby maintaining high reliability.

Kalmar's products have always been very service friendly as we continuously strive:

- to minimise the number of components
- to choose the highest quality components throughout
- to use lubrication-free options wherever possible
- to optimise accessibility for service and maintenance

SERVICE ACCESSIBILITY

The top covers on the frame can be removed quickly and easily. Most of the main components are easily accessible from above in the broad frame when inspection and maintenance need to be carried out. The cabin can also be moved lengthwise thus further increasing ease of access.



The boom requires a minimum of maintenance due to lubrication free sliding plates.



Filters are easy accessible.



The new engines have long service intervals.



The wide frame gives easy access for maintenance.



The control and monitoring system will minimise downtime due to fast fault identification. Information regarding malfunctions and need of maintenance will be presented directly in the information display.

FAULT IDENTIFICATION

The control and monitoring system offers completely new opportunities for fault identification. There are over 400 fault codes and 140 diagnostics menus built into the system.

The overall aim is to make stoppages as few and as short as possible. With this machine, Kalmar has created the best possible balance between performance and operating economy – in other words, a low cost over the entire life cycle of the reachstacker.

FOUR REASONS TO CHOOSE KALMAR.

1 / COST OVER LIFETIME

Kalmar offers the best cost over lifetime for its customers. Modern and innovative technology together with lasting equipment and comprehensive service ensures Kalmar increases its customers' productivity. Every day.



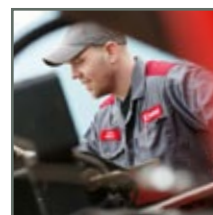
2 / GLOBAL NETWORK

Kalmar invests in its sales and service network. Thus Kalmar is a reliable and trustworthy supplier with ability to serve demanding customers.



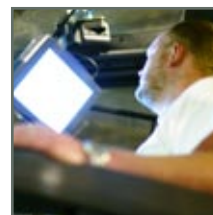
3 / LOCAL SERVICE

Kalmar practises innovative service development. Because of Kalmar's local customer service strategy, Kalmar knows its customers' local conditions, and can provide efficient and effective service in every location.



4 / CONTINUOUS DEVELOPMENT

Kalmar has not stopped at the top, but continuously improves its offering. New services as well as investments in automation and environmentally friendly solutions work for our customers benefit.



Kalmar Industries AB

Torggatan 3, SE-340 10 Lidhult, Sweden
tel. +46 372 260 10, fax. +46 372 263 93

