

tractors  
fork lift trucks  
empty container handling ▶  
reach stackers  
straddle carriers  
steel coil handling  
pick & carry crane

products



C.V.S. spa

via Emilia, 20/22  
29010 Roveleto di Cadeo  
Piacenza - Italy

tel. +39.0523.503511  
fax +39.0523.500439

[www.cvsferrari.com](http://www.cvsferrari.com)  
[info.mktg@cvsferrari.com](mailto:info.mktg@cvsferrari.com)



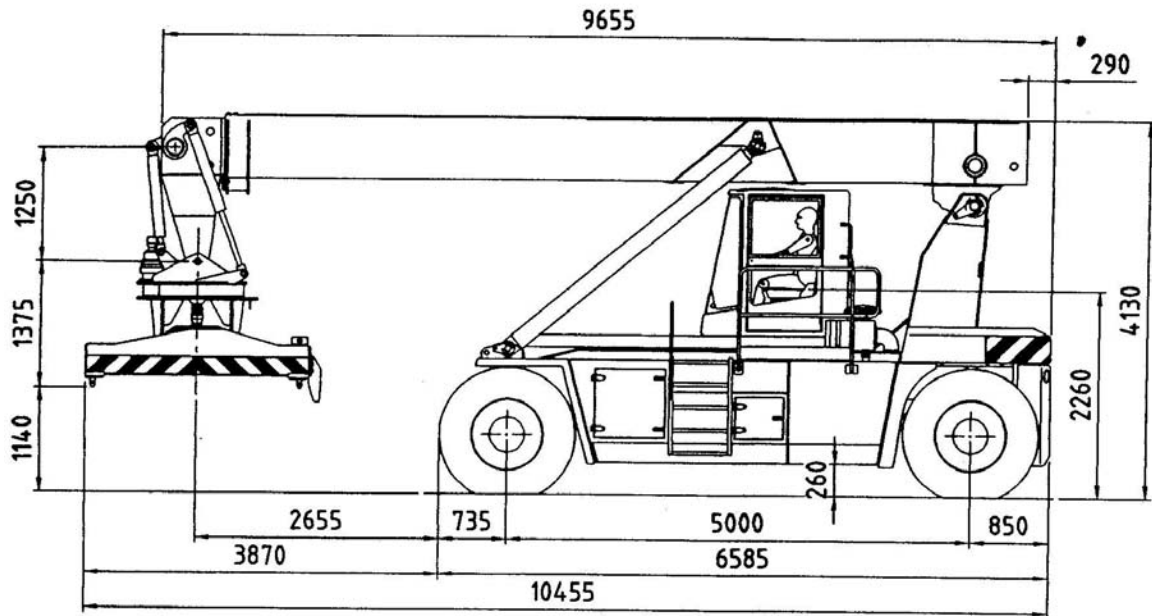
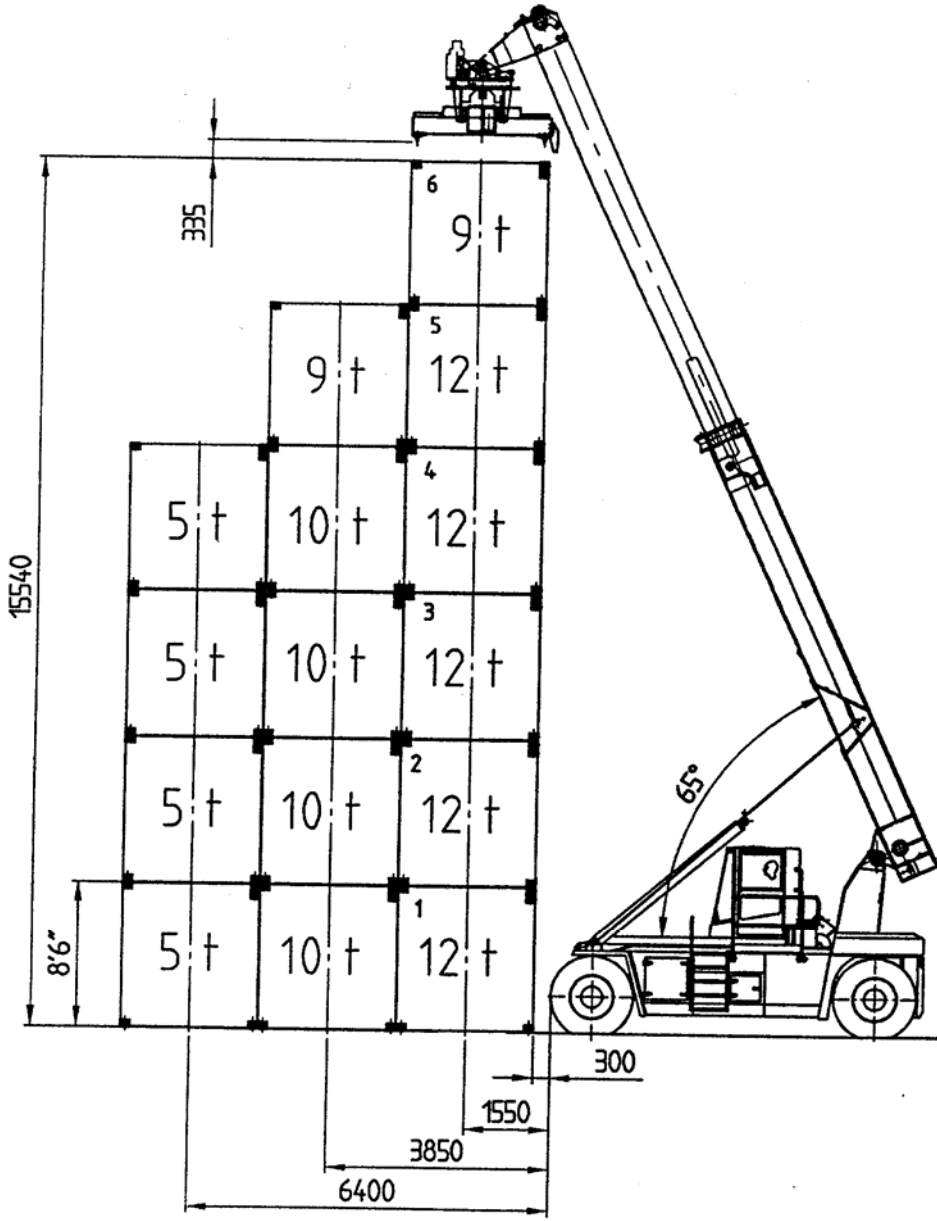
## Technical Information

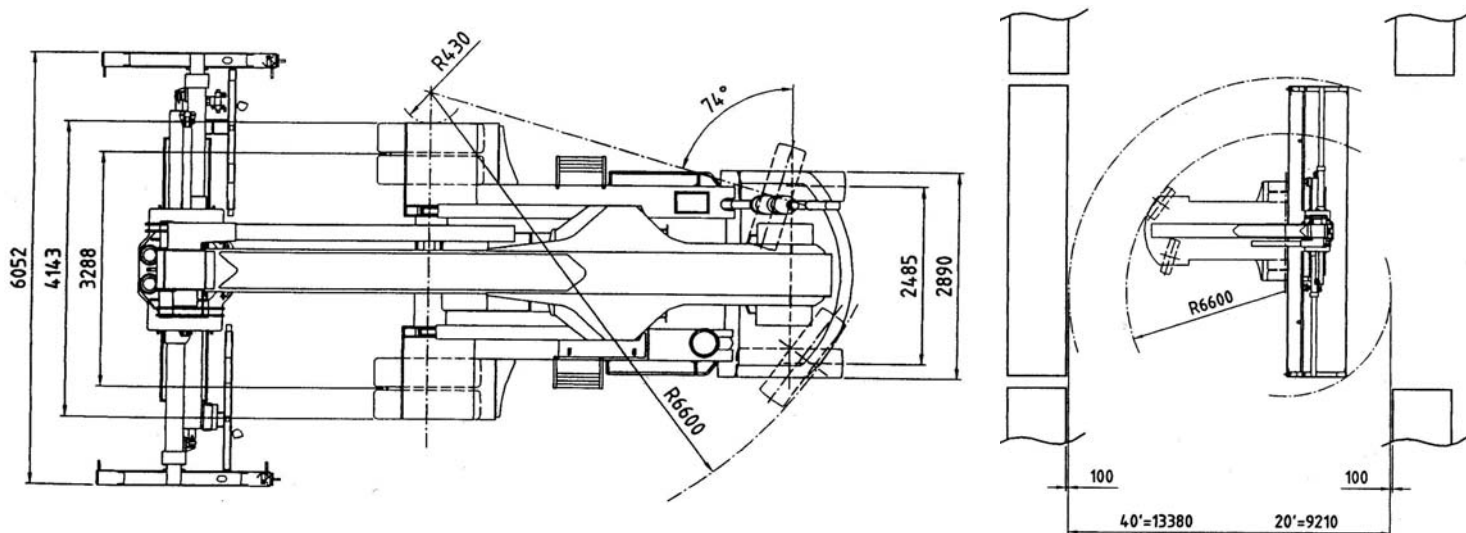
# Empty Container Handling

**FERRARI**  
**F 258**

<b>SPECIFICATION</b>	<b>01 Manufacturer</b>				CVS	
	<b>02 Model</b>				<b>FERRARI 258.6</b>	
	<b>03 Lifting capacity</b>	First Row/Second Row		Kg.	12000/10000	
	<b>04 Load Center</b>	First Row/Second Row		mm.	1550/3850	
	<b>05 Power unit</b>				Diesel engine	
	<b>06 Steering</b>				Steering wheel in the cab	
	<b>07 Tyre type</b>	Front / Rear			Pneumatic	
	<b>08 Wheels</b>	Number at Front/Rear (*=driven)			4*/2	
<b>DIMENSIONS</b>	<b>09 Lifting Height</b>	Under Spreader - First Row		mm.	15875	
	<b>10 Width of Spreader</b>	20 Ft.		mm.	6052	
	<b>11 Side Tilting</b>	Mechanical		Deg.	+/-3	
	<b>12 Rotation</b>	Hydraulic		Deg.	-95 + 185	
	<b>13 Side shifteing</b>	Max		mm.	+/- 800	
	<b>14 Boom Angle</b>	Min / Max		Deg.	0 / 65	
	<b>15 Overall dimensions</b>	Length		mm.	10455	
		Width		mm.	4143	
		Boom height, Min.		mm.	4130	
	<b>18</b>	Boom height, Max		mm.	18290	
	<b>19</b>	Seat height		mm.	2260	
	<b>20</b>	Min. dist. spreader from ground		mm.	1140	
	<b>21 Turning radius</b>	Inner/Outer		mm.	430/6600	
<b>22 Distance from front axle</b>	Center to load, first row		mm.	2250 - 3390		
<b>23 Aisle for 90° stacking</b>	Incl. 200 mm. safety margin		mm.	13380		
<b>PERFORMANCE</b>	<b>24 Stability</b>	DIN 15018 (Yes/No)			Yes	
	<b>25 Speeds</b>	Travelling F. & R. Laden/Unladen		km/h	23.7/24.1	
		Lifting (empty/booster/laden)*			m/s	0,47 / 0,57 / 0.32
	<b>27</b>	Lowering			m/s	0.40
	<b>28 Drawbar pull</b>	Max - Laden			kN	181
	<b>29 Gradeability</b>	Cont. at 2 Km/h - Laden			%	28
Max at 0 km /h - Laden				%	34	
<b>WEIGHTS</b>	<b>31 Gross vehicle weight</b>			Kg.	41700	
	<b>32 Axle load - Front</b>	Unladen		Kg.	23800	
		Laden L1		Kg.	37800	
	<b>33 Axle load - Rear</b>	Unladen		Kg.	17900	
		Laden L1		Kg.	15900	
<b>TYRES BRAKES CHASSIS</b>	<b>34 Tyres</b>	Number - Front/rear			4/2	
	<b>35</b>	Size - Front		ins.	14.00-24 28 PR	
	<b>36</b>	Size - Rear		ins.	14.00-24 28 PR	
	<b>37 Wheelbase</b>			mm.	5000	
	<b>38 Track</b>	Between centres - driven wheels		mm.	3288	
	<b>39 Ground clearance</b>	Mid-way along the wheelbase		mm.	260	
	<b>40 Foot brake system</b>	Type/ brake wheels				Multiple wet disc brakes/ Driven Wheels
<b>STEERING SYSTEM</b>	<b>41Type</b>				Hydrostatic	
<b>DRIVING SYSTEM</b>	<b>42 Engine</b>	Manufacturer - Type			CUMMINS QSB6. 7	
	<b>43</b>	Rating - SAEJ1995		kW/(hp)	164 (223)	
	<b>44</b>	Rated Speed		RPM	2200	
	<b>45</b>	Peak Torque - at engine speed		Nm/RPM	949/1500	
	<b>46</b>	Number Cylinders - displacement		cm3	6/6700	
	<b>47</b>	Compression Ratio				17.2:1
	<b>48</b>	Fuel Consumption (Average)		l/h		10
	<b>49 Alternator</b>	Type - Rating		A		90
	<b>50 Starting Batteries</b>	Voltage - Capacity		V/Ah		2 x 12 V / 180
	<b>51 Drive Axle</b>	Type				With double reduction
	<b>52 Gear Box</b>	Type-number of gears forward/rev.				DANA Spicer (Clark) - 4/4
	<b>53 Clutch</b>	Clutch type				Torque converter
	<b>54 Hydraulic pressure</b>	For attachments			Bar	140
<b>55 Sound Level</b>	Inside cabin (EN 12053)			dB(A)	75	

\* Lifting booster optional





**CHASSIS**

All welded box type. Highest strength. Torsion resistant structure.

**ENGINE**

CUMMINS QSB6. 7  
 Euromot step 3 . Low pollution level. Eurostandard . Lowest fuel consumption and best performances.

**TRANSMISSION**

DANA SPICER (CLARK) 32000  
 Integrated torque converter and power shift . 4 Speeds forward and 4 speeds reverse

**FRONT AXLE**

Epicicloidial hub reduction plus central reduction (bevel gear and pinion). Wet discs brakes.

**REAR AXLE**

Articulating axle with double acting single cylinder. Full hydrostatic steering system (Orbitrol).

**HYDRAULIC SYSTEM**

Variable displacement pumps. Load sensing distributors controlling, lifting and steering. Hydraulic and proportional joystic. Oil cooling system .

**ELECTRICAL SYSTEM**

The most reliable and easy to service. 24 V. - Two 12 V. batteries of low maintenance type. High performance alternator.

**BOOM**

High torsion. High quality steel. New design - One basic section and one telescopic section.

**TOP SPREADER:**

High quality steel. Compact and precise. Telescoping from 20' to 40'. All functions controlled from cab. Safety sensors on four corners.

The illustrations and data contained in this brochure are not binding. The manufacturer reserves the right to make changes for any reason while not altering the primary specifications



*Distributed & Serviced by:*

C.V.S S.p.A. - Via Emilia - 29010 Roveleto di Cadeo (PC) ITALY  
 Tel. ++39.0523.503511 - Fax ++39.0523.500439  
 E-mail: info.mktg@cvsferrari.com