



**TECHNICAL INFORMATION
REACH STACKER**

**Mod. FERRARI 198 H
Mod. FERRARI 198 L**

CHASSIS

All welded box type. Torsion resistant structure. Low center of gravity.

ENGINE

Mercedes Benz Mod. OM 442. Naturally aspirated. Lowest fuel consumption and best performances.

TRANSMISSION

CLARK 34000
Integrated torque converter and power shift - 4 Speeds forward and 4 speeds reverse.

FRONT AXLE

Extra wide front axle for maximum stability. Hub reduction. Multiple discs in oil bath. Oil cooling. Extra heavy duty type.

REAR AXLE

Articulating axle with double acting single cylinder.

POWERED STEERING

Full hydrostatic steering system (Orbitrol). Steering wheel in cab.

BRAKING SYSTEM

Service brakes by multiple discs in oil bath acting on front wheels with cooling system. Parking and emergency braking system by release spring operated by manual lever in cab.

HYDRAULIC SYSTEM

Powerfull. Reliable. 2 geared pumps controlling: lifting, telescoping, steering, rotation and side shifting. Low pressure system for maximum reliability. Joy sticker. 2 lifting speeds: one normal on laden and one fast on empty conditions.

ELECTRICAL SYSTEM

The most reliable and easy to service. 24 V. - Two 12 V. batteries of low maintenance type. High performance alternator.

BOOM

High torsion. High quality steel. New design - One basic section and one telescopic section.

INSTRUMENTS

Engine water thermometer. Engine oil pressure manometer. Transmission oil thermometer and oil pressure manometer. Fuel gauge. Hourmeter. RPM meter.

WARNING LIGHTS

Air filter clogging. Brake oil filter clogging. Transmission oil clogging. Pilot oil filter clogging. Transmission oil high temperature. Brake oil low pressure and high temperature. Engine oil low pressure. Direction warning lights. Spot lights. Low battery indicator. Brake applied. Ambra beacon. Working light. Emergency lights. Fuel low level.

MISCELLANEOUS

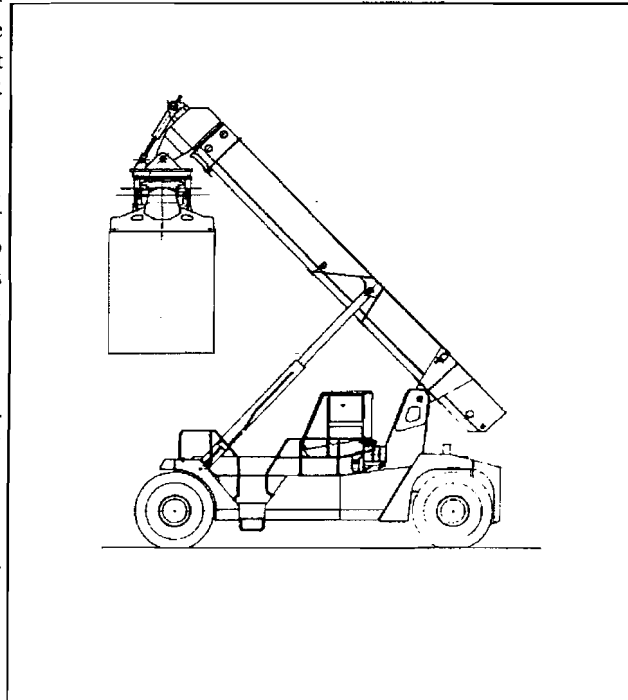
SPREADER:

Highest strength steel. Compact and precise. Telescoping from 20' to 40'. All functions controlled from cab. Side mechanical tilting. Damping. Safety sensors on four corners.

Heater - Rear view mirror - Front lights - Rear lights - Working lights - Ambra beacon - Front and rear direction lights - Braking lights - Reverse buzzer - Anti-reverse safety system - Overloading safety system.

OPTIONS

Hydraulically sliding cab - Electronic speed control - Aircon in cab. - 12 V. plug for radio system - Extinguisher - Rear and upper glass defroster - Electronic overloading system - Integral spreader with piggy back - Fuel heating system.



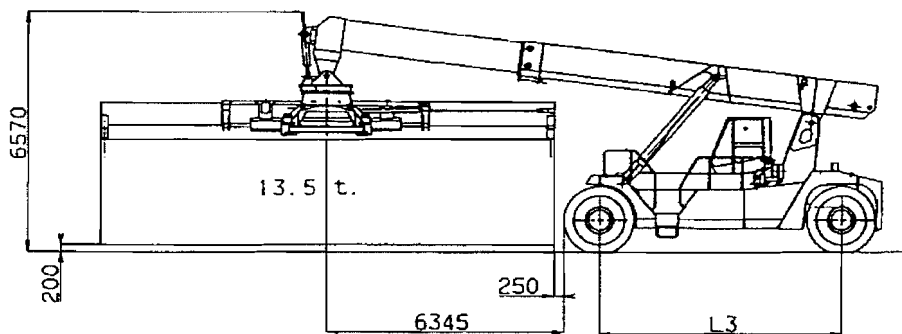
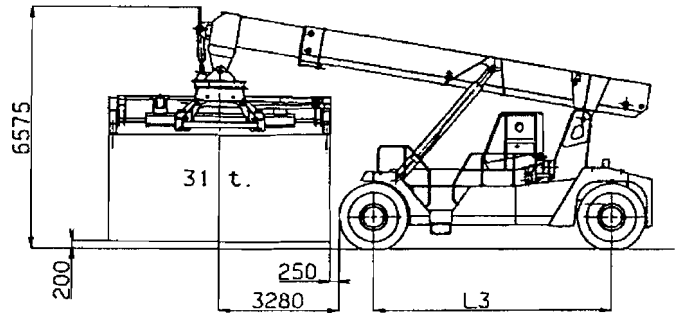
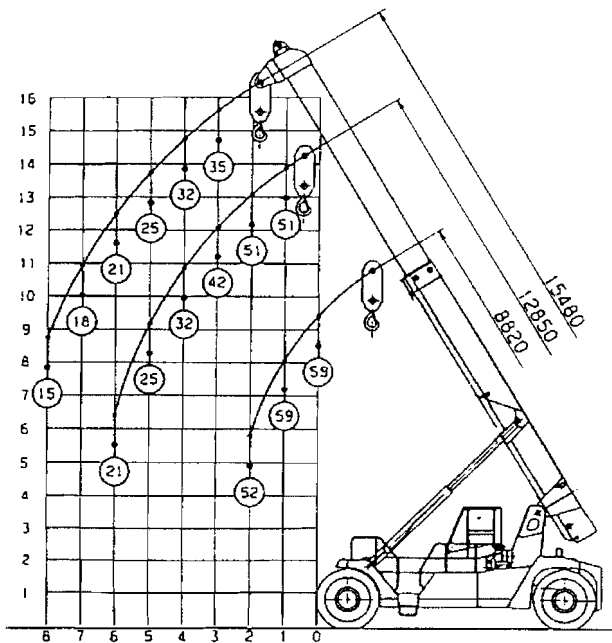
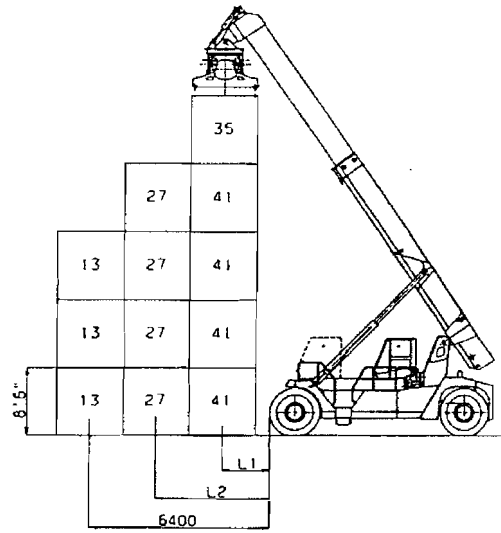
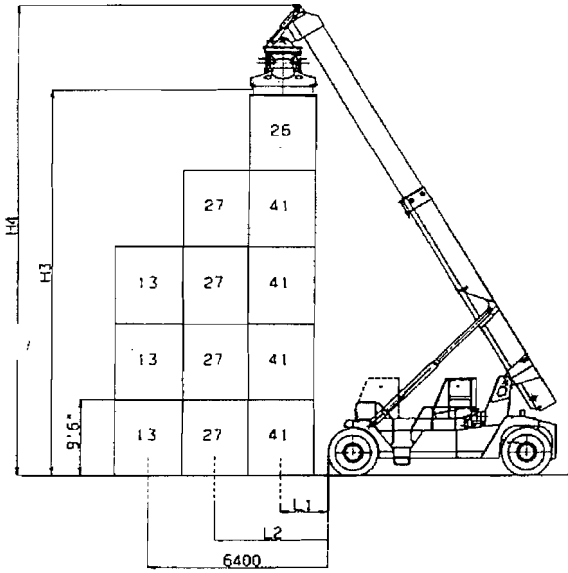
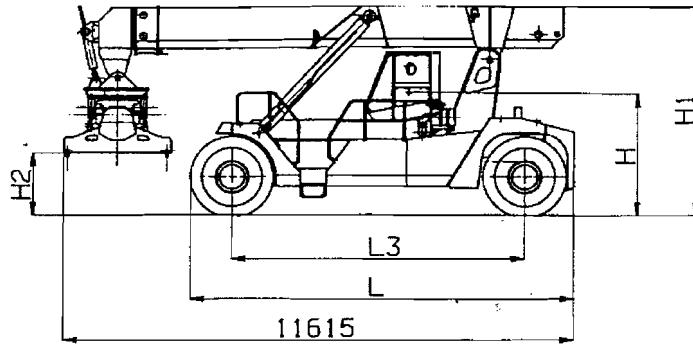
DRIVER'S CAB

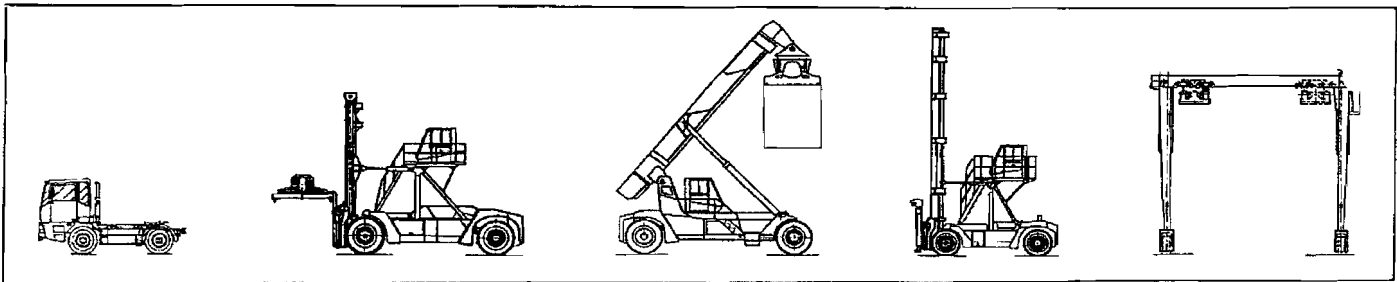
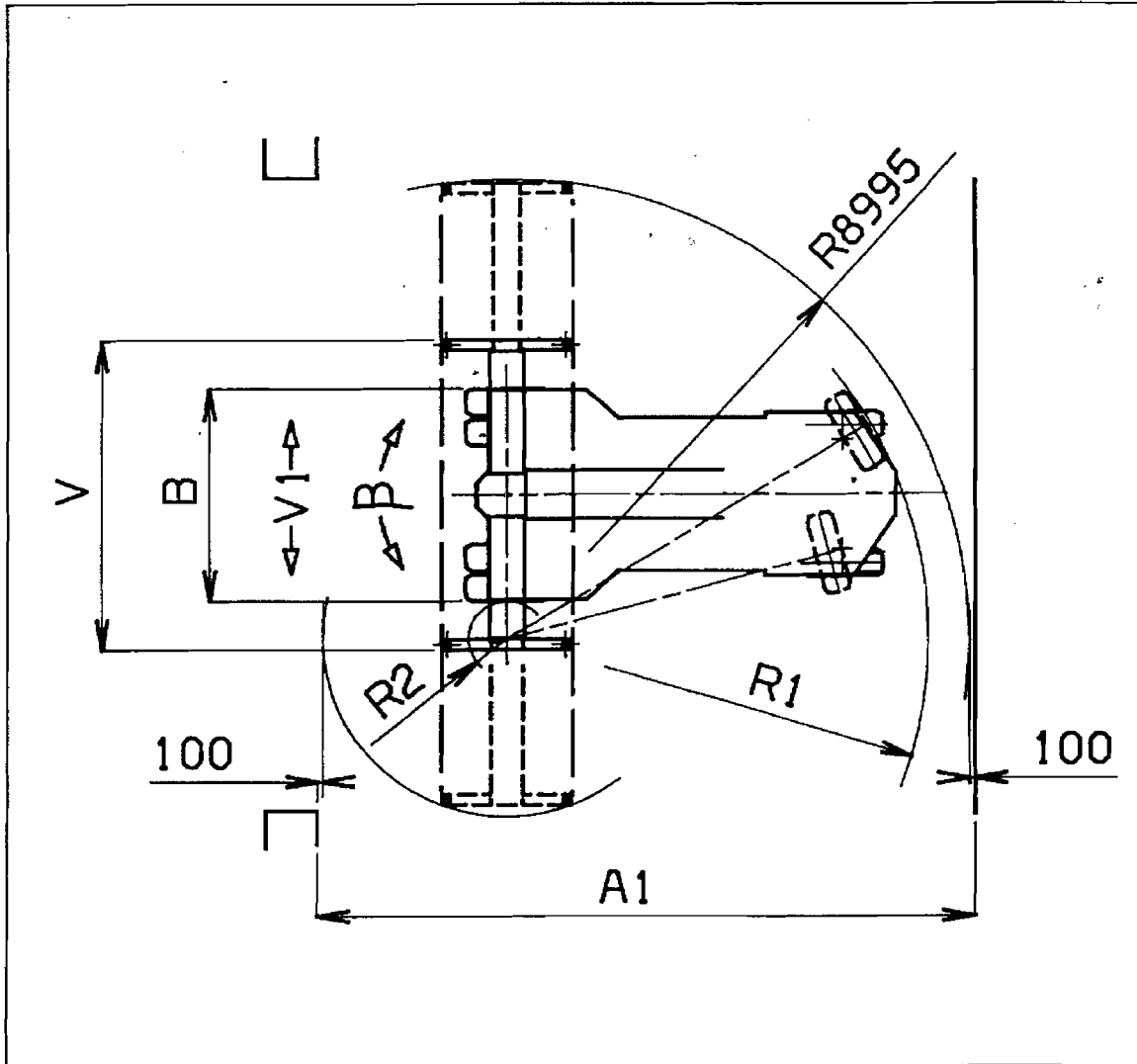
The most comfortable and ergonomic. Sound proof. Fitted on silent blocks to reduce vibrations. Best all round visibility. Safety glasses. Adjustable operator seat. Front and roof wipers.

LIQUID CAPACITIES

| | | |
|----------------|-----|-----|
| Fuel | lt. | 700 |
| Cooling system | lt. | 75 |
| Hydraulic oil | lt. | 800 |
| Drive axle | lt. | 50 |
| Gear box | lt. | 55 |
| Engine oil | lt. | 20 |

| SPECIFICATION | 01 Manufacturer | | | | CVS | CVS |
|-----------------------------|------------------------------------|-----------------------------------|-------|------------------|---|-----------------|
| | 02 Model | | | | FERRARI 198 - H | FERRARI 198 - L |
| | 03 Lifting capacity | First Row/Second Row | | Kg. | 41000/27000 | 41000/27000 |
| | 04 Load Center | First Row/Second Row | L1/L2 | mm. | 1790/3840 | 1790/3840 |
| | 05 Power unit | | | | Diesel engine | Diesel engine |
| | 06 Steering | | | | Steering wheel in the cab | |
| | 07 Tyre type | Front/Rear | | | Pneumatic | Pneumatic |
| | 08 Wheels | Number at Front/Rear (* = driven) | | | 4*/2 | 4*/2 |
| DIMENSIONS | 09 Lifting Height | Under Spreader - First Row | H3 | mm. | 14700 | 14700 |
| | Width of Spreader | 20 Ft | V | mm. | 6060 | 6060 |
| | | 40 Ft | V | mm. | 12192 | 12192 |
| | | | | | | |
| | Side Tilting | Mechanical + - | | Deg. | 4 | 4 |
| | Rotation | Hydraulic + - | B | Deg. | -95+185 | -95+185 |
| | Side shifter | Max + - | V1 | mm. | 800 | 800 |
| | 14 Boom Angle | Min/Max | | Deg. | 0/59 | 0/60 |
| | 15 Overall dimensions | Length | L | mm. | 8365 | 8365 |
| | | Width | B | mm. | 4160 | 4160 |
| | 17 | Boom height, Min. | H1 | mm. | 4700 | 4350 |
| | 18 | Boom height, Max. | H4 | mm. | 17890 | 17890 |
| | 19 | Height - Top of Cab | | mm. | 3700 | 3350 |
| | 20 | Seat height | H | mm. | 2550 | 2400 |
| | 20/A | Min. dist. spreader from ground | H2 | mm. | 1300 | 950 |
| 21 Turning radius | Inner/Outer | R2/R1 | mm. | 740/8210 | 740/8210 | |
| 22 Distance from front axle | Center to load, first row | | mm. | 2600 | 2600 | |
| 23 Aisle for 90° stacking | Incl. 200 mm. safety margin | A1 | mm. | 12700 | 12700 | |
| PERFORMANCE | Stability | DIN 15018-1 - H2 - B4 (Yes/No) | | | Yes | Yes |
| | 24 Speeds | Travelling F. & R. Laden/Unladen | | Km/h | 19/24 | 19/24 |
| | 25 | Lifting Laden/Unladen | | m/s | 0,20/0,27 | 0,20/0,27 |
| | 26 | Lowering Laden/Unladen | | m/s | 0,30/0,30 | 0,30/0,30 |
| | 28 Drawbar pull | Max - Laden | | kN | 254 | 254 |
| | 29 Gradeability | Cont. at 2 Km/h - Laden | | % | 15 | 15 |
| 30 | Max at 0 Km/h - Laden | | % | 21 | 21 | |
| WEIGHTS | 32 Gross vehicle weight | | | Kg. | 66300 | 66300 |
| | 33 Axle load - Front | Unladen | | Kg. | 36000 | 36000 |
| | | Laden | | Kg. | 93300 | 93300 |
| | 34 Axle load - Rear | Unladen | | Kg. | 30300 | 30300 |
| Laden | | | Kg. | 14000 | 14000 | |
| TYRES BRAKES CHASSIS | 35 Tyres | Number - Front/rear | | | 4/2 | 4/2 |
| | 36 | Size - Front | | ins. | 18.00-25 | 18.00-25 |
| | 37 | Size - Rear | | ins. | 18.00-25 | 18.00-25 |
| | 38 Wheelbase | | L3 | mm. | 6500 | 6500 |
| | 39 Track | Between centres - driven wheels | | mm. | 3030 | 3030 |
| | 40 Ground clearance | Mid-way along the wheelbase | | mm. | 560 | 560 |
| | | | | | | |
| | 42 Foot brake system | Type/brake wheels | | | Multiple discs in oil bath/Driven Wheel | |
| | 43 Parking brake | Type/brake wheels | | | Spring brakes/Driven wheels | |
| STEERING SYSTEM | Type | | | | Hydrostatic | Hydrostatic |
| DRIVING SYSTEM | 49 Engine | Manufacturer - Type | | | Mercedes Benz Mod. 442 | |
| | 50 | Rating - DIN 6271 | | kw/(CV) | 222 (300) | 222 (300) |
| | 51 | Rated Speed | | g/min | 2100 | 2100 |
| | | Peak Torque - at engine speed | | Nm-g/min | 1079/1000 | 1079/1000 |
| | 52 | Number Cylinders - swept volume | | cm ³ | 8V/15078 | 8V/15078 |
| | | Compression Ratio | | | 16.8:1 | 16.8:1 |
| | 53 | Fuel Consumption (Average) | | l/h | 18 | 18 |
| | Alternator | Type - Rating | | A | AC - 80 | AC - 80 |
| | Starting Batteries | Voltage - Capacity | | V/Ah | 2 x 12 V - 155 | 2 x 12 V - 155 |
| | 54 Drive Axle | Type | | | With double reduction | |
| 55 Gear Box | Type - number of gears forwar/rev. | | | Clark - 4/4 | Clark - 4/4 | |
| 56 Clutch | Clutch type | | | Torque converter | Torque converter | |
| | 57 Hydraulic pressure | For attachments | | Bar | 140 | 140 |
| | 58 Sound Level | Overhead guard/Cab average | | dB(A) | 85/75 | 85/75 |





The illustrations and data contained in this brochure are not binding. The manufacturer reserves the right to make changes for any reason while not altering the primary specifications.



HEAD OFFICE C.V.S. SpA - Via Emilia 29010 Roveleto di Cadeo (PC) ITALY
 Tel. +39.523-509026 - Fax. +39.523-500439 - Telex 530530 CVSI

ASIA PACIFIC OFFICE C.V.S. AP - #04-17 Prince Edward Road - 0207 SINGAPORE
 Tel. +65.2201338 - Fax. +65.2201319 - Telex 36901 IOSPL

Distributed & Serviced by:





