

The logo for MEC LIFT, with 'MEC' in blue and 'LIFT' in white on an orange background.

MEC LIFT

A low-angle photograph of a blue Meclift ML4212RC truck-mounted crane. The crane's boom is extended upwards, supported by hydraulic cylinders. The truck's cab is visible, featuring a side mirror and the MEC LIFT logo. The background is a clear blue sky. A blue and orange graphic overlay is at the bottom.

**New
Meclift ML4212RC**

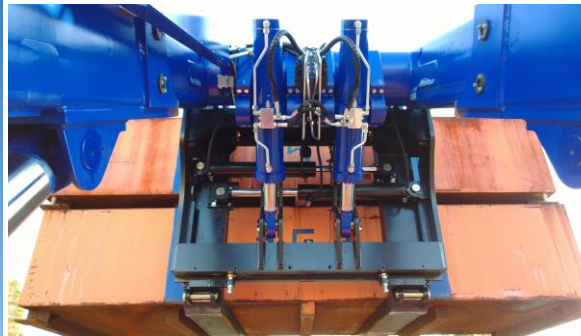
Meclift™ ML4212RC Variable Reach Truck



Meclift™ ML4212RC variable reach truck complements our variable reach truck product family of ML1612R, ML1812R, ML3012RC and ML5012R, with new and exciting capabilities.

Meclift™ ML4212RC Variable Reach Truck

MEC **LIFT**



The New ML4212RC Truck



With the Meclift™ ML4212RC variable reach truck, you can take your heavy lifting operations to the next level, on efficiency and safety. ML4212RC is **capable of lifting 42 tons** with 1.2m load center, it **can reach up to 3.25 meters** and taking the lifting height as high as **7.8 meters**.

With high reaching capability, Meclift ML4212RC excels on loading and unloading materials to containers. It **can reach to the end of a standard 20" container and still lift 10 tons**, making all logistical maneuvers significantly easier and safer.

Meclift™ ML4212RC variable reach truck, is designed to help on container loading and unloading, you can do all the heavy lifting into/out a container, that is located **on top of the trailer**. With **Bogey rollers**, you can move heavier loads than 10 tons, even while utilizing the maximum reach.

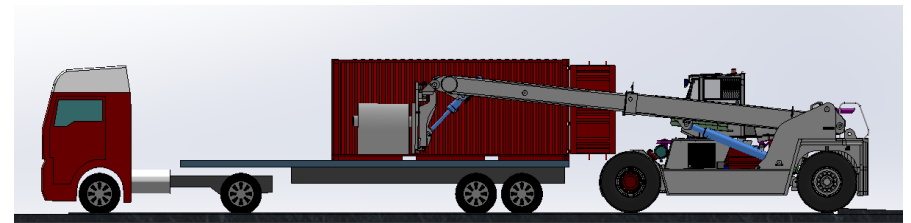
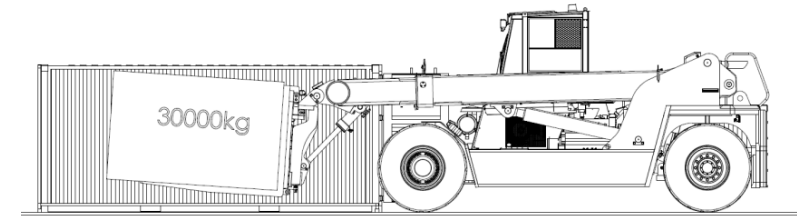
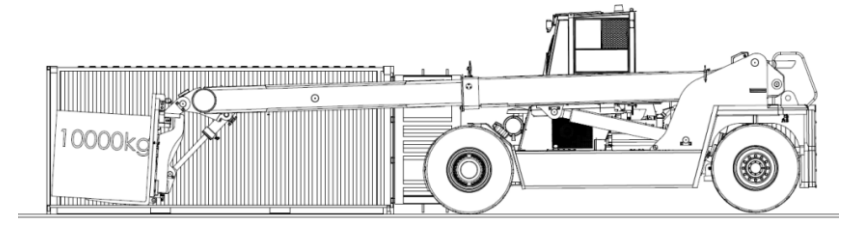
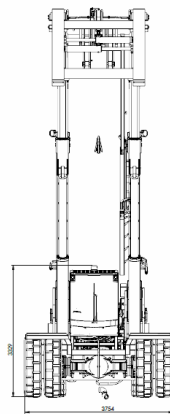
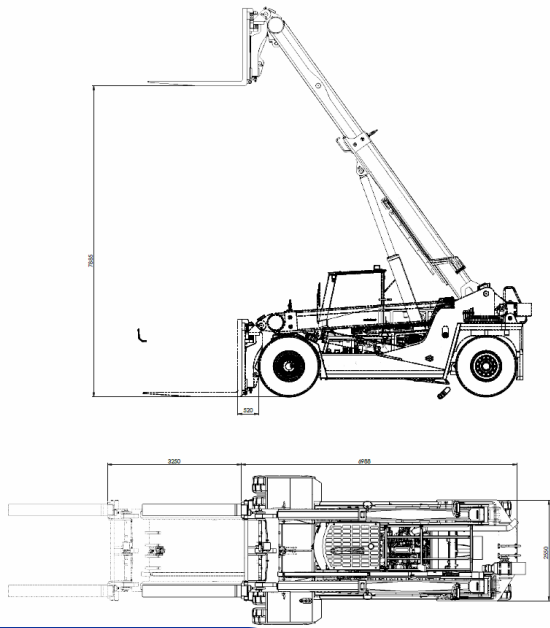
Meclift™ ML4212RC variable reach truck with the Lifting Beams is an unique combination for long and heavy object handling. With that, it is **possible to place rods, pipes and tubes into middle of a 40ft container**. There is no other machine in the world that do that.

With vertically movable cabin, the driver can position him/hers self on the right place, to see either the forks or surrounding areas, which ever is needed at the moment. This makes the much safer to operate this heavy truck. To improve the safety, ML4212RC can be fitted with cameras, to both front and rear.

MC4212RC reach truck

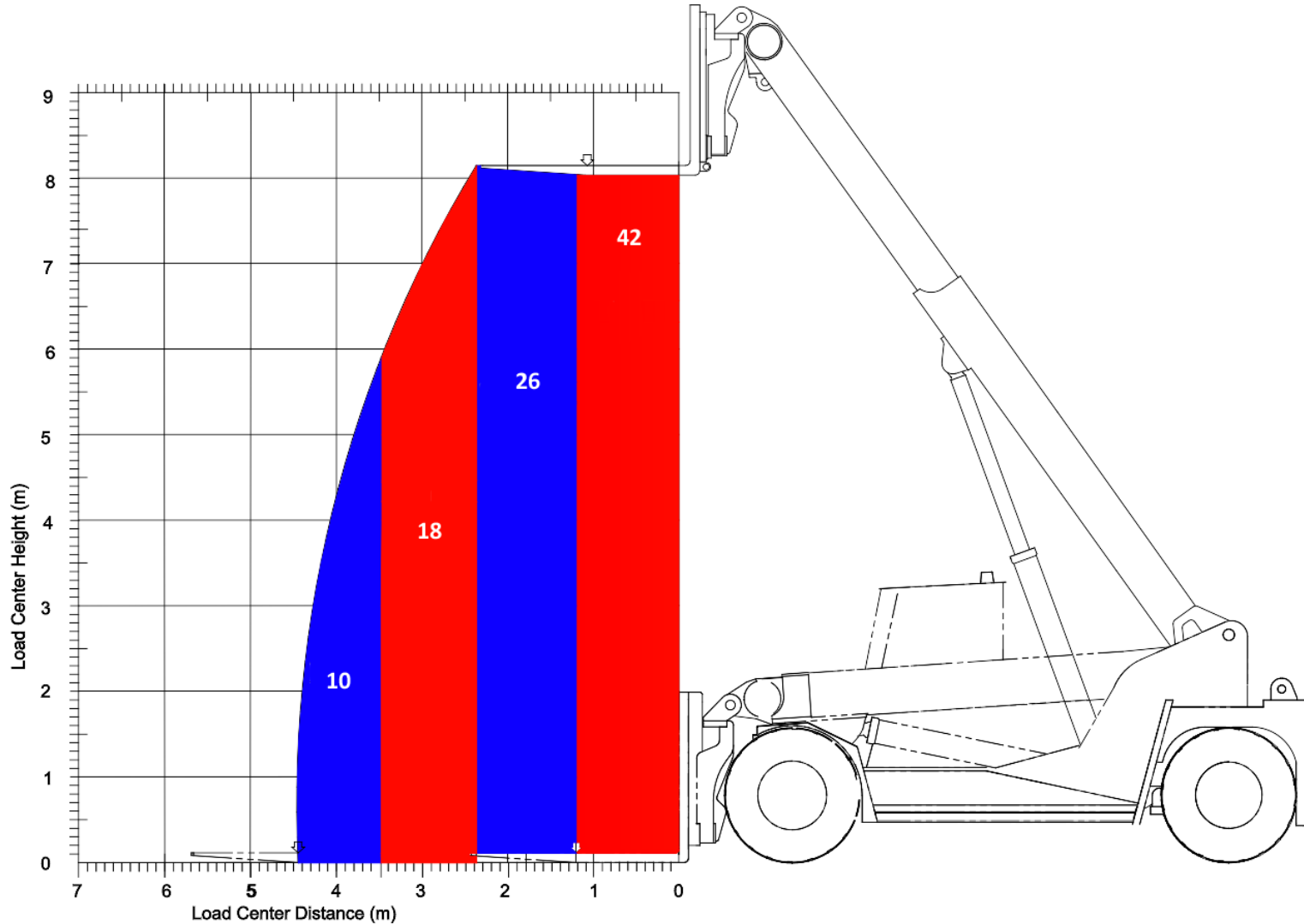
MEC **LIFT**

- Lifting capacity 42t at 1200mm
- Can reach inside of container

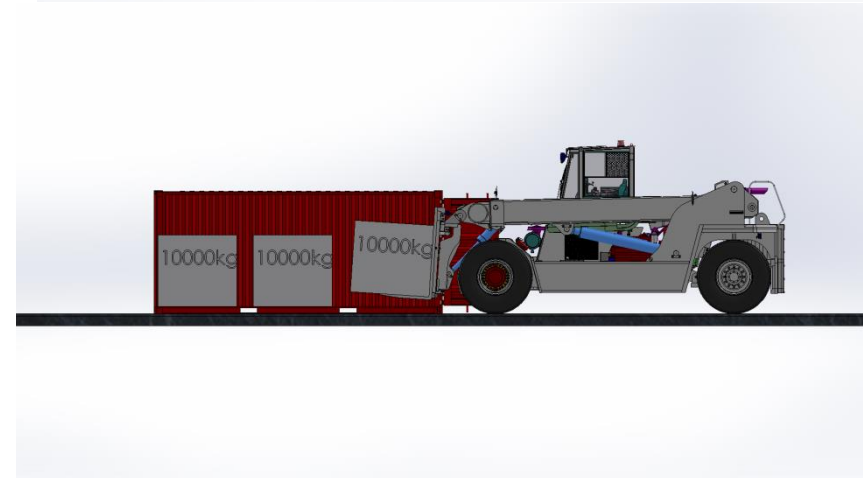
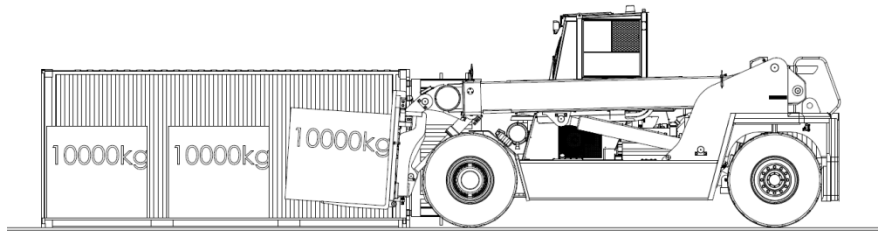
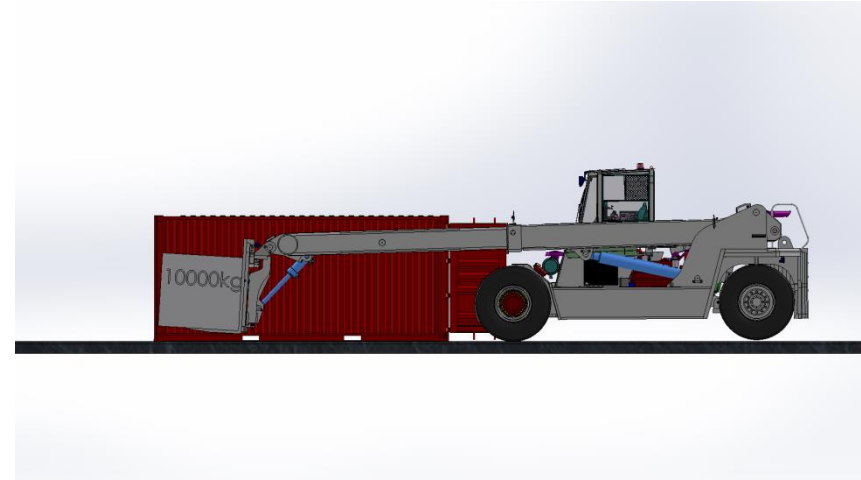
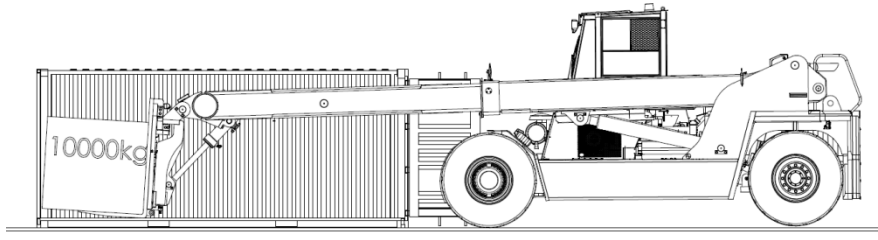


Muokkaa alaotsikon perustyyliä napsautt.

ML4212RC Lifting diagram

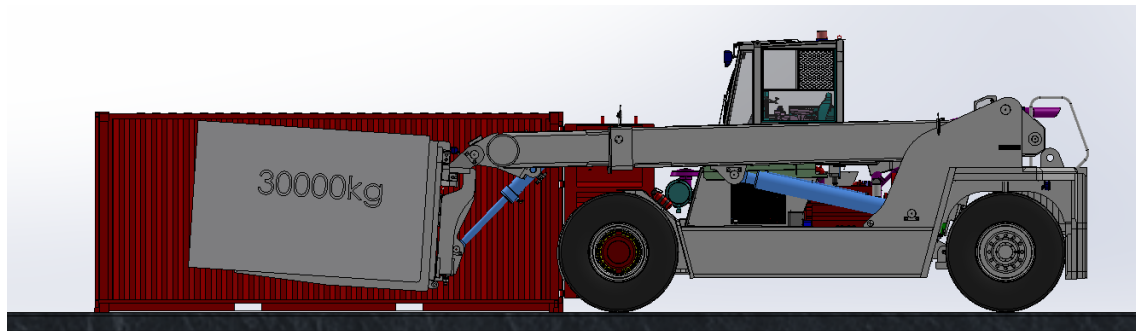
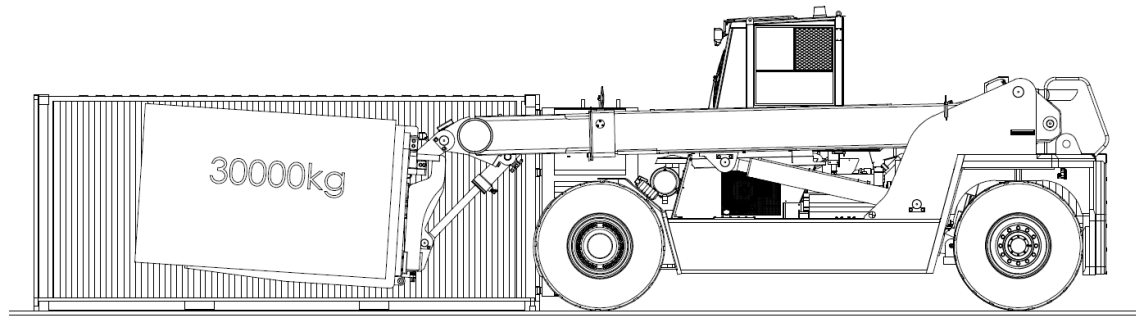


ML4212RC reach truck in stone handling



Muokkaa alaotsikon perustyyliä napsautt.

ML 4212RC reach truck in stone handling



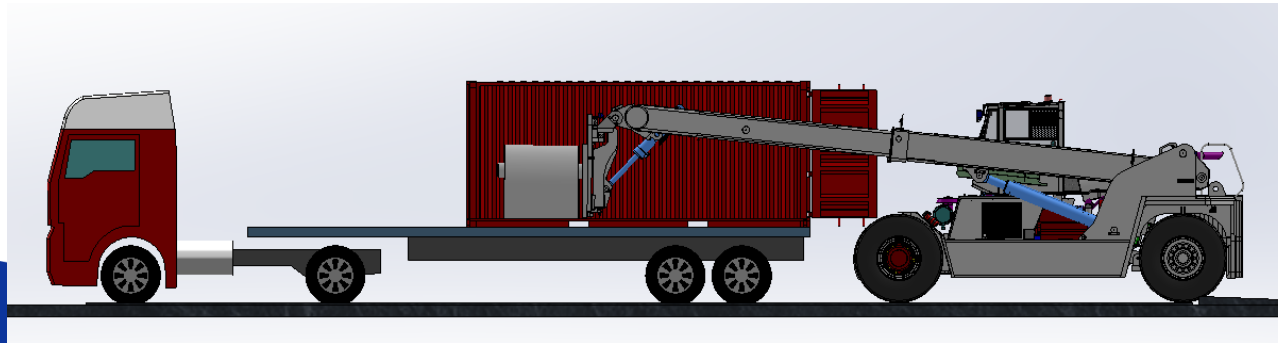
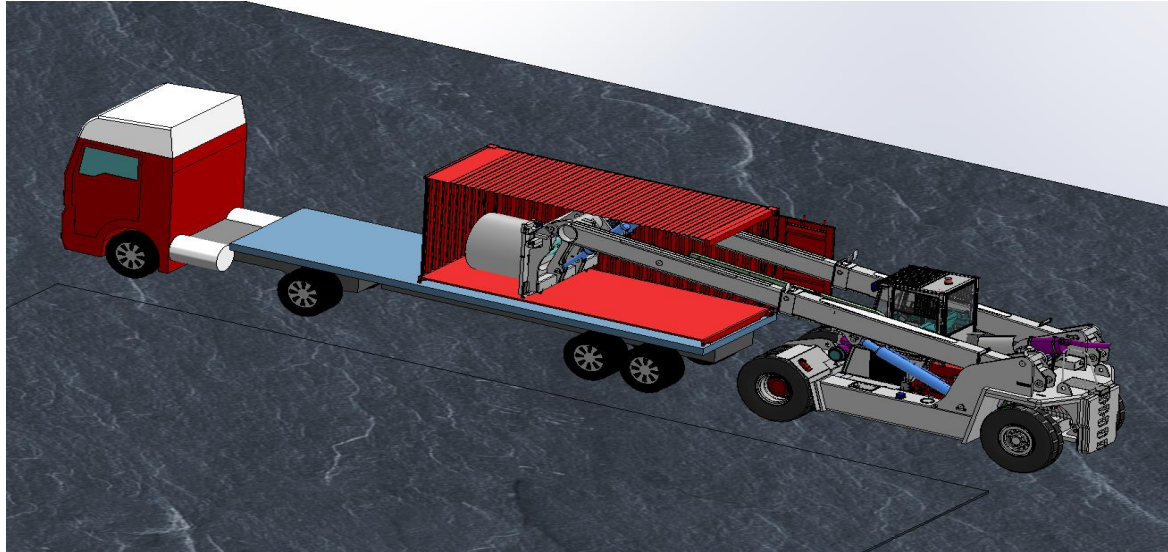
Muokkaa alaotsikon perustyyliä napsautt.

ML4212RC reaching to container



With high reaching capability, Meclift™ ML4212RC can reach to the end of a **standard 20" container** and **still lift 10 tons**, making all logistical maneuvers significantly easier and safer.

Coil handling on a trailer with ML4212RC



Muokkaa alaotsikon perustyyliä napsautt.

ML4212RC with Coil Ram



Meclift™ ML4212RC Variable Reach Truck

MEC **LIFT**



ML4212RC with Coil Ram

MEC **LIFT**



Meclift™ ML4212RC Variable Reach Truck

MEC **LIFT**



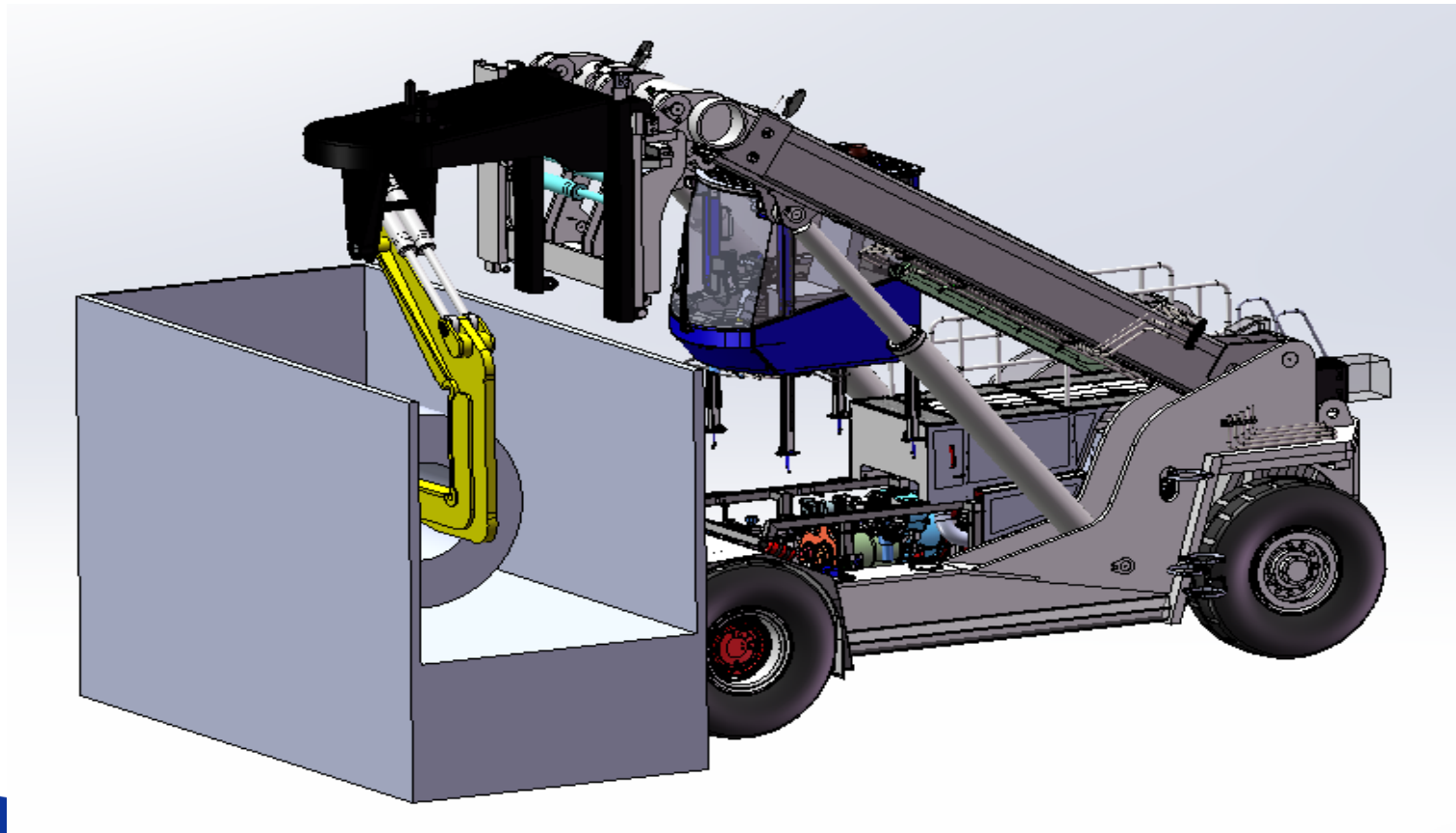
Meclift™ ML4212RC Variable Reach Truck

MEC **LIFT**



ML4212RC with C-hook

MEC **LIFT**



Muokkaa alaotsikon perustyyliä napsautt.

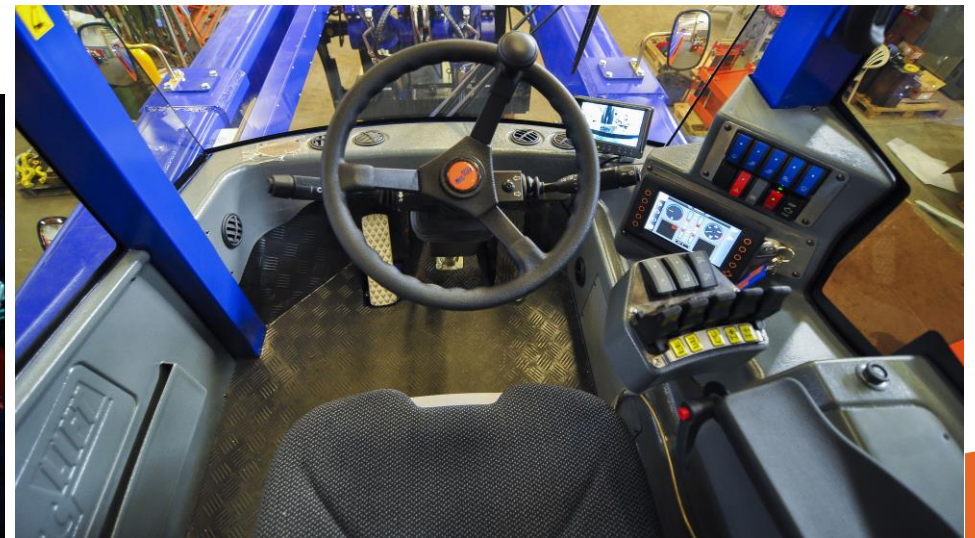
Meclift™ ML4212RC Variable Reach Truck

MEC **LIFT**



Meclift™ ML4212RC Variable Reach Truck

MECLIFT



ML4212RC with some of its attachments

MEC **LIFT**



ML4212RC Data Sheet



Lifting capacity (kg)	42000
Load center (mm)	1200
Lifting height (mm)	7800
Lifting speed (m/s)	0,3
Reach (mm)	3250

Dimensions	
Length (mm)	7360
Width (mm)	3780
Minimum height (mm)	3330
Wheelbase (mm)	5020
Ground clearance (mm)	350
Weight (without attachments) (kg)	49000
Turning radius (mm)	7900

Engine	
Manufacturer and type	Cummins QSL9 Diesel (stage IIIA/stage IV)
Fuel	Diesel - 4 stroke
Number of cylinder	6
Power according to ISO 2534 - at revs (kW/rpm)	239/2200
Torque according to ISO 2534 - at revs (Nm/rpm)	1424/1500
Fuel consumption, normal driving (l/h)	215g/kW/hour, ~20 l/h

Transmission	
Manufacturer and type	Dana Spicer TE32
Clutch, type	Torque converter
Gearbox type	Powershift
Number of gears, forward - reverse	4 speed, automatic
Driving axle, type	Axletech PRC7534W4H

Wheels	
Type	Pneumatic
Dimension, front - rear (inch)	16.00-25
Number of wheels, front - rear	4 - 2
Pressure (Mpa)	1,0

Other	
Vertically movable cabin	680 mm
Fork side shifting	Standard
Fork positioning	Standard
Air conditioner	Standard
Radio	Standard
Led working lights and Led Beacon	Optional
Camera system	Optional
Special colour	Optional
Air cushioned seat	Optional
Integrated Tire Pressure Monitoring system	Optional



www.meclift.fi