



## Laden Container Handler Reachstacker

Capacity 42000 to 45000 kg  
C 4230 TL – C 4535CH SERIES 357

### Safety

On-board microprocessors constantly measure load weight, boom-angle and extension; immediately responding to potential overload conditions by warning the operator and cutting-out lift-and telescopic reach functions while allowing the operator to return the machine to a safe operational condition.

### Performance

A powerful low-revving and high torque engine are matched with an electronically controlled 4-speed transmission. A multi-pump hydraulic system ensures high efficient use of energy with optimised speed of operation and minimal wear on hydraulic components for extended working life.

### Operator comfort

The spacious, cushioned cab, comfort-class seat and integrated, electronically-controlled joystick combines with effortless hydrostatic power steering and compact steering wheel to create an intuitive, fatigue-free working environment that motivates and promotes consistently high productivity levels.

### Reliability

The high performance of the Linde Reachstacker is matched by the robustness of its construction. The high quality, heavy duty drive line components are designed to ensure maximum performance and durability. Heavy-duty main structural elements provide stress relief over the load bearing areas, thus ensuring lifelong product integrity.

### Productivity

The resiliently mounted cab is located centrally for optimum visibility to the top spreader at all times. All-round visibility is also excellent when working in confined areas. Combining these features with superb operator comfort, intuitive controls and impressive truck performance results in unsurpassed efficiency and productivity.

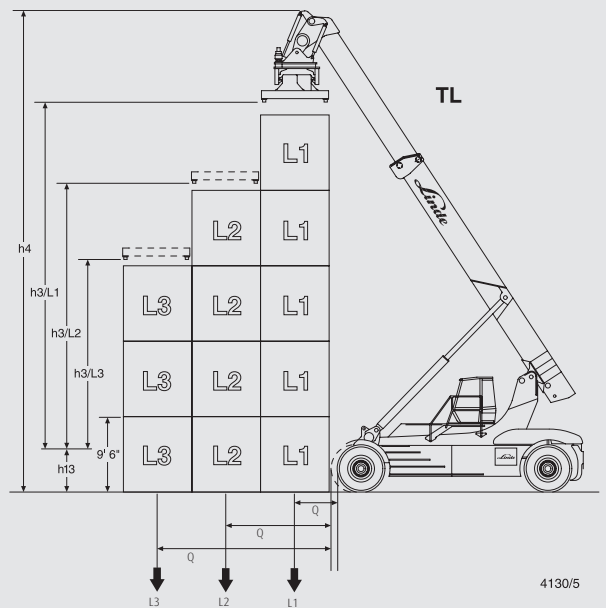
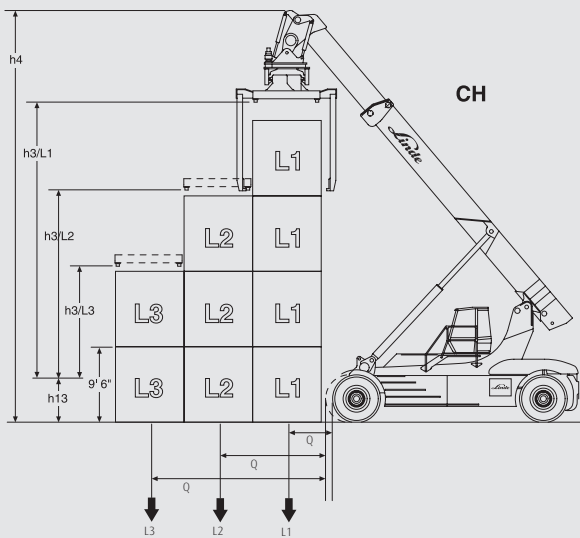
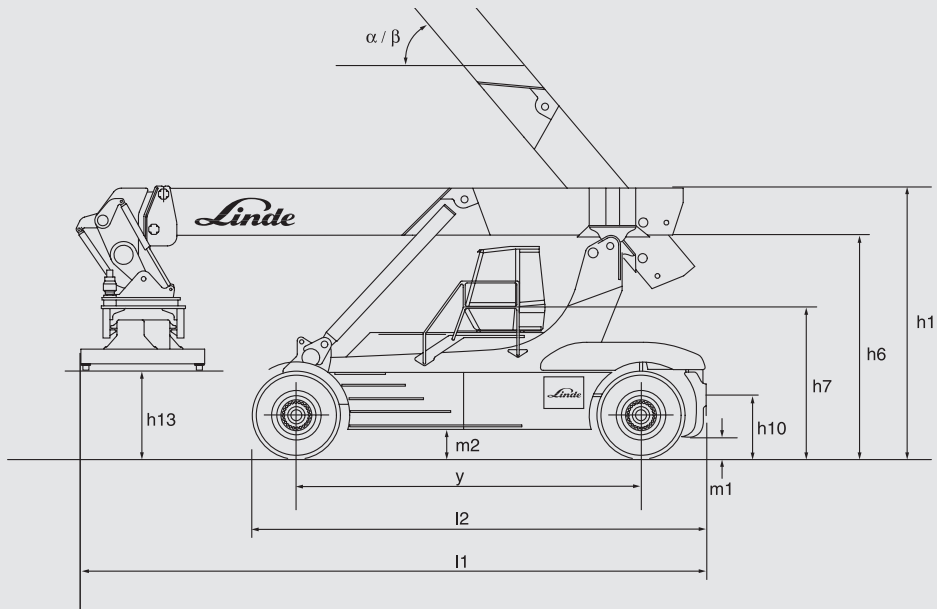
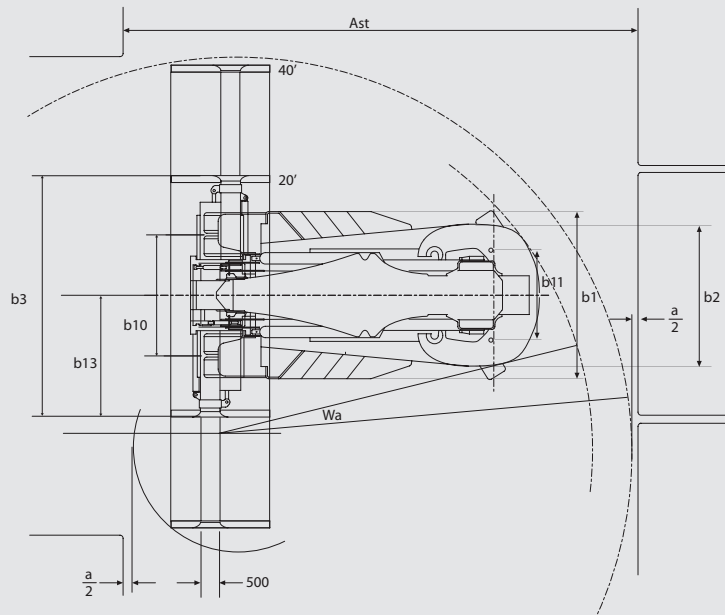
Linde Material Handling

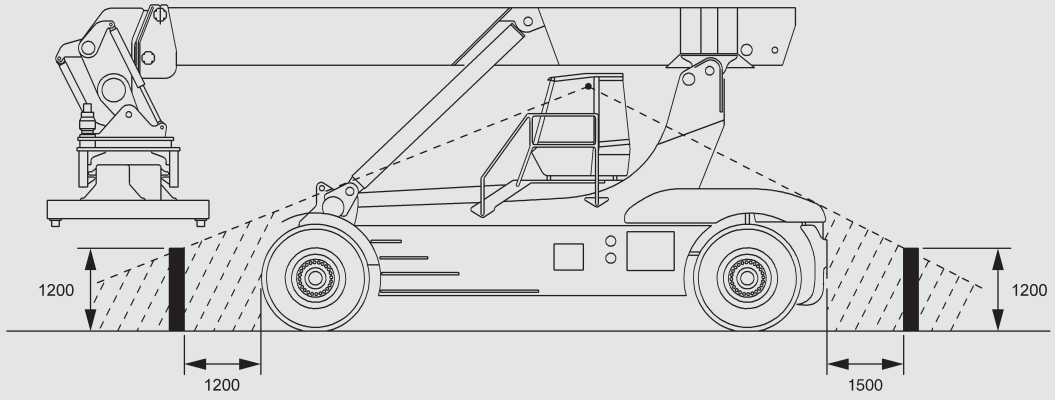
*Linde*

# Technical data

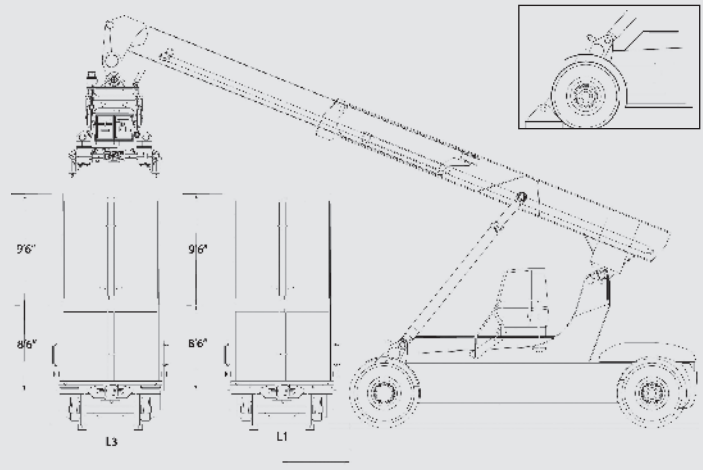
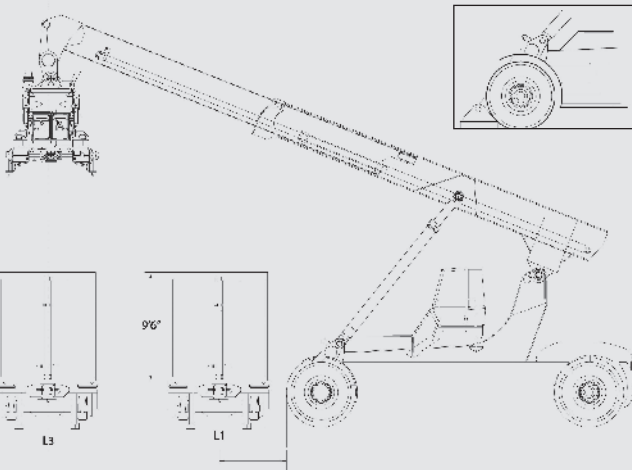
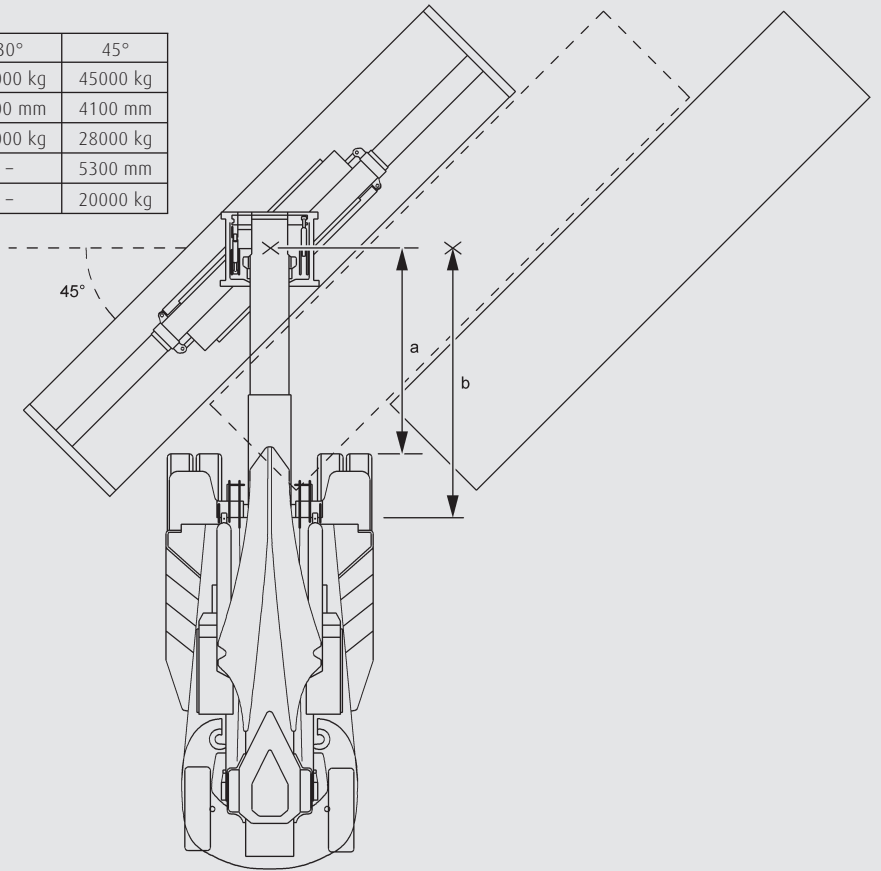
Characteristics	1.1	Manufacturer	LINDE	LINDE	LINDE	LINDE	LINDE	
	1.2	Model designation	<b>C4230 TL / 5</b>	<b>C4531 TL / 5</b>	<b>C4234 TL / 5</b>	<b>C4535 TL / 5</b>	<b>C4540 TL / 5</b>	
	1.3	Power unit: battery, diesel, LP gas, mains power	Diesel	Diesel	Diesel	Diesel	Diesel	
	1.4	Operation: manual, pedestrian, stand-on, seated, order picker	Rider seated	Rider seated	Rider seated	Rider seated	Rider seated	
	1.5	Load capacity (L1, L2, L3)	Q (kg)	42 / 30 / 16	45 / 31 / 16	42 / 34 / 17	45 / 35 / 19	45 / 40 / 21
		Load capacity With stabilisers applied (L1, L2, L3)	Q (kg)	42 / 34 / 20	45 / 36 / 20	42 / 38 / 21	45 / 40 / 25	45 / 45 / 31
	1.6	Load centre, First row (L1)	c (mm)	1800	1800	1800	1800	1800
		Load centre, Second row (L2)	c (mm)	3860	3860	3860	3860	3860
		Load centre, Third row (L3)	c (mm)	6400	6400	6400	6400	6400
1.8	Axle centre to fork face (L1-1/2 high)	x (mm)	2800/2600	2800/2600	2800/2600	2800/2600	2800/2600	
1.9	Wheelbase	y (mm)	6400	6400	6400	6400	7000	
Weights	2.1	Service weight	kg	70400	71400	73200	77700	77000
	2.2	Axle load with load, front/rear (L1)	kg	97180 / 15220	101900 / 14500	97030 / 18170	103950 / 18050	104025 / 18675
		Axle load without load, front/rear (L2)	kg	-	-	-	-	-
	2.3	Axle load without load, front/rear (L1)	kg	35900 / 34500	36400 / 35000	36100 / 37100	38700 / 38300	38900 / 38800
	Axle load without load, front/rear (L2)	kg	-	-	-	-	-	
Wheels & tyres	3.1	Tyres, front/rear. SE = (superelastic), P = (pneumatic)		P/P	P/P	P/P	P/P	P/P
	3.2	Tyre size, front		18.00 x 25 / 40pr	18.00 x 25 / 40pr	18.00 x 25 / 40pr	18.00 x 33 / 40 pr	18.00 x 33 / 40 pr
	3.3	Tyre size, rear		18.00 x 25 / 40pr	18.00 x 25 / 40pr	18.00 x 25 / 40pr	18.00 x 33 / 40 pr	18.00 x 33 / 40 pr
	3.5	Wheels, number, front/rear (x = driven)		4x/2	4x/2	4x/2	4x/2	4x/2
	3.6	Track width, front	b10 (mm)	3030	3030	3030	3030	3392
	3.7	Track width, rear	b11 (mm)	2786	2786	2786	2786	2786
	Dimensions	4.1	Telescopic boom lift angle, Raised/lowered	a/b (°)	61 / 0	61 / 0	61 / 0	61 / 0
4.2		Height telescopic boom lowered	h1 (mm)	5115	5115	5115	5215	5215
4.4		Lift (L1, L2, L3)	h3 (mm)	15900/14100/11350	15900/14100/11350	15900/14100/11350	16000/14200/11550	16000/14200/11550
4.5		Height, telescopic boom extended	h4 (mm)	18900	18900	18900	19000	19000
4.7		Height of overhead guard (cabin)	h6 (mm)	3900	3900	3900	4000	4000
4.8		Height, operators seat/stand-on platform	h7 (mm)	2840	2840	2840	2940	2940
4.12		Towing coupling height	h10 (mm)	600	600	600	700	700
		Cabin travel movement	h12 (mm)					
4.15		Twistlock height lowered	h13 (mm)	1885	1885	1885	1985	1985
		Twistlock height lowered (with over-ride activated)	h13 (mm)					
4.19		Overall length with attachment	l1 (mm)	11618	11618	11618	11618	12220
4.20		Overall length	l2 (mm)	8410	8410	8410	8500	9100
4.21		Overall width	b1/b2 (mm)	4180/3400	4180/3400	4180/3400	4180/3400	4180 / 3400
4.24		Width of attachment 20'/40'	b3 (mm)	6050/12150	6050/12150	6050/12150	6050/12150	6050/12150
4.31		Ground clearance minimum	m1 (mm)	345	345	345	345	345
4.32		Ground clearance, centre of wheelbase	m2 (mm)	300	300	300	400	400
4.33		Stacking aisle 20' container	Ast (mm)	10225	10225	10225	10225	13980
4.34	Stacking aisle 40' container	Ast (mm)	13050	13050	13050	13050	14510	
4.35	Turning radius	Wa (mm)	8605	8605	8605	8605	9275	
4.36	Minimum pivoting point distance	b13 (mm)	3400	3400	3400	3400	3620	
Performance	5.1	Travel speed, with/without load	km/h	21 / 25	21 / 25	21 / 25	21 / 25	23 / 25
	5.2	Lift speed, with/without load	m/s	0.28 / 0.39	0.28 / 0.39	0.28 / 0.39	0.28 / 0.39	0.28 / 0.39
	5.3	Lowering speed, with/without load	m/s	0.39 / 0.39	0.39 / 0.39	0.39 / 0.39	0.39 / 0.39	0.39 / 0.39
	5.5	Tractive force, with/without load	1 kph	kN	346	346	346	382
	5.6	Maximum tractive force, with/without load		kN	392	392	392	425
	5.7	Climbing ability, with/without load	1 kph	%	28	28	28	31.5
	5.8	Maximum climbing ability, with/without load		%	32.5	32.5	32.5	32.5
	5.9	Acceleration time, with/without load		s	-	-	-	-
	5.10	Service brake			Wet disc	Wet disc	Wet disc	Wet disc
	6.4	Battery voltage, rated capacity	V/Ah	24V (2x 12 / 143)	24V (2x 12 / 143)	24V (2x 12 / 143)	24V (2x 12 / 143)	24V (2x 12 / 143)
Drive	7.1	Engine manufacturer/type		Cummins QSM 11	Cummins QSM 11	Cummins QSM 11	Cummins QSM 11	Cummins QSM 11
	7.2	Engine performance according to ISO 1585		kW	250	250	250	280
	7.3	Rated speed	1/min	2100	2100	2100	2100	2100
	7.4	Number of cylinders/displacement	/cm3	6/10820	6/10820	6/10820	6/10820	6/10820
	7.5	Fuel consumption according to VDI cycle	l/h	15-28	15-28	15-28	15-28	15-28
Other	8.1	Type of drive control		Torque conv. 4/4	Torque conv. 4/4	Torque conv. 4/4	Torque conv. 4/4	Torque conv. 4/4
	8.2	Working pressure for attachments	bar	160	160	160	160	160
	8.3	Oil flow for attachments	l/min	-	-	-	-	-
	8.4	Noise level, at operator's ear, Overhead guard/Cab	dB (A)	74	74	74	74	74
	8.5	Trailer coupling, design/type DIN	ø (mm)	50	50	50	50	50
			<b>C4230 TL / 4</b>	<b>C4531 TL / 4</b>	<b>C4234 TL / 4</b>	<b>C4535 TL / 4</b>	<b>C4540 TL / 4</b>	
4.1	Telescopic boom lift angle, Raised/lowered	m/s	56 / 0	56 / 0	56 / 0	56 / 0	56 / 0	
4.2	Height telescopic boom lowered	N	5115	5115	5115	5215	5215	
4.4	Climbing ability, with/without load (L 1, L 2, L 3)	%	13400/11120/6850	13400/11120/6850	13400/11120/6850	13500/11220/6950	13500/11220/6950	
4.5	Height, telescopic boom extended	%	16560	16560	16560	16660	16660	

LINDE <b>C4540 TL / 5 (2nd Rail)</b>	LINDE <b>C4026 CH / 5</b>	LINDE <b>C4127 CH / 5</b>	LINDE <b>C4527 CH / 5</b>	LINDE <b>C4030 CH / 5</b>	LINDE <b>C4531 CH / 5</b>	LINDE <b>C4535 CH / 5</b>	LINDE <b>C4535 CH / 5 (2nd Rail)</b>
Diesel	Diesel	Diesel	Diesel	Diesel	Diesel	Diesel	Diesel
Rider seated	Rider seated	Rider seated	Rider seated	Rider seated	Rider seated	Rider seated	Rider seated
45 / 40 / 21	40 / 26 / 12	41 / 27 / 12	45 / 27 / 12	40 / 30 / 13	45 / 31 / 15	45 / 35 / 16	45 / 35 / 16
45 / 45 / 31	43 / 30 / 16	41 / 27 / 16	45 / 31 / 16	40 / 34 / 17	45 / 31 / 21	45 / 40 / 26	45 / 40 / 26
1800	1800	1800	1800	1800	1800	1800	1800
3860	3860	3860	3860	3810	3860	3860	3860
6400	6400	6400	6400	6400	6400	6400	6400
2800/2600	2800/2600	2800/2600	2800/2600	2800/2600	2800/2600	2800/2600	2800/2600
7000	6400	6400	6400	6400	6400	7000	7000
79200	73950	74900	74900	76700	81250	81970	83470
105525 / 18675	99000 / 14950	102270 / 13630	102270 / 13630	98870 / 17830	110100 / 16150	110320 / 16650	111820 / 16650
40400 / 38800	41320 / 32630	41780 / 33120	41780 / 33120	41450 / 35250	44320 / 36920	44550 / 37420	46050 / 37420
P/P	P/P	P/P	P/P	P/P	P/P	P/P	P/P
18.00 x 33 / 40 pr	18.00 x 25 / 40pr	18.00 x 25 / 40pr	18.00 x 25 / 40pr	18.00 x 25 / 40pr	18.00 x 33 / 40pr	18.00 x 33 / 40pr	18.00 x 33 / 40pr
18.00 x 33 / 40 pr	18.00 x 25 / 40pr	18.00 x 25 / 40pr	18.00 x 25 / 40pr	18.00 x 25 / 40pr	18.00 x 33 / 40pr	18.00 x 33 / 40pr	18.00 x 33 / 40pr
4x/2	4x/2	4x/2	4x/2	4x/2	4x/2	4x/2	4x/2
3392	3030	3030	3030	3030	3030	3392	3392
2786	2786	2786	2786	2786	2786	2786	2786
60 / 0	61 / 0	61 / 0	61 / 0	61 / 0	61 / 0	61 / 0	60 / 0
5555	5115	5115	5115	5115	5215	5215	5555
16000/14200/11550	15420/13620/10870	15420/13620/10870	15420/13620/10870	15420/13620/10870	15520/13720/11070	15520/13720/11070	15520/13720/11070
19100	18900	18900	18900	18900	19000	19000	19100
4400	3900	3900	3900	3900	4000	4000	4400
3340	2840	2840	2840	2840	2940	2940	3340
700	600	600	600	600	700	700	700
2325	1405	1405	1405	1405	1505	1505	1845
12220	11618	11618	11618	11618	11618	12220	12220
9100	8410	8410	8410	8410	8500	9100	9100
4570 / 3400	4180/3400	4180/3400	4180/3400	4180/3400	4180/3400	4570 / 3400	4570 / 3400
6050/12150	6050/12150	6050/12150	6050/12150	6050/12150	6050/12150	6050/12150	6050/12150
345	345	345	345	345	345	345	345
400	300	300	300	300	400	400	400
13980	10225	10225	10225	10225	10225	13980	13980
14510	13050	13050	13050	13050	13050	14510	14510
9275	8605	8605	8605	8605	8605	9275	9275
3620	3400	3400	3400	3400	3400	3620	3620
23 / 25	21 / 25	21 / 25	15 / 25	21 / 25	21 / 25	23 / 25	23 / 25
0.28 / 0.39	0.28 / 0.39	0.28 / 0.39	0.28 / 0.39	0.28 / 0.39	0.28 / 0.39	0.28 / 0.39	0.28 / 0.39
0.39 / 0.39	0.39 / 0.39	0.39 / 0.39	0.39 / 0.39	0.39 / 0.39	0.39 / 0.39	0.39 / 0.39	0.39 / 0.39
382	346 / -	346 / -	346 / -	346 / -	346 / -	382	382
425	392 / -	392 / -	392 / -	392 / -	392 / -	425	425
31.5	28 / -	28 / -	28 / -	28 / -	28 / -	31.5	31.5
32.5	32.5 / 34.5	32.5 / 34.5	32.5 / 34.5	32.5 / 34.5	32.5 / 34.5	35.0	35.0
-	-	-	-	-	-	-	-
Wet disc	Wet disc	Wet disc	Wet disc	Wet disc	Wet disc	Wet disc	Wet disc
24V (2x 12 / 143)	24V (2x 12 / 143)	24V (2x 12 / 143)	24V (2x 12 / 143)	24V (2x 12 / 143)	24V (2x 12 / 143)	24V (2x 12 / 143)	24V (2x 12 / 143)
Cummins QSM 11	Cummins QSM 11	Cummins QSM 11	Cummins QSM 11	Cummins QSM 11	Cummins QSM 11	Cummins QSM 11	Cummins QSM 11
280	250	250	250	250	250	280	280
2100	2100	2100	2100	2100	2100	2100	2100
6/10820	6/10820	6/10820	6/10820	6/10820	6/10820	6/10820	6/10820
15-28	15-28	15-28	15-28	15-28	15-28	15-28	15-28
Torque conv. 4/4	Torque conv. 4/4	Torque conv. 4/4	Torque conv. 4/4	Torque conv. 4/4	Torque conv. 4/4	Torque conv. 4/4	Torque conv. 4/4
160	160	160	160	160	160	160	160
-	-	-	-	-	-	-	-
74	74	74	74	74	74	74	74
50	50	50	50	50	50	50	50
LINDE <b>C4540 TL / 4 2nd Rail</b>	LINDE <b>C4026 CH / 4</b>	LINDE <b>C4127 CH / 4</b>	LINDE <b>C4527 CH / 4</b>	LINDE <b>C4030 CH / 4</b>	LINDE <b>C4531 CH / 4</b>	LINDE <b>C4535 CH / 4</b>	LINDE <b>C4535 CH / 4 2nd Rail</b>
56 / 0	56 / 0	56 / 0	56 / 0	56 / 0	56 / 0	56 / 0	56 / 0
5555	5115	5115	5115	5115	5215	5215	5555
13500/11220/6950	13075/10800/6550	13075/10800/6550	13075/10800/6550	13075/10800/6550	13175/10900/6650	13175/10900/6650	13175/10900/6650
16760	16560	16560	16560	16560	16660	16660	16760





Rotation	30°	45°	30°	45°
Model capacity	42000 kg	42000 kg	45000 kg	45000 kg
Distance (a)	4200 mm	4100 mm	4200 mm	4100 mm
Capacity (a)	25000 kg	25000 kg	28000 kg	28000 kg
Distance (b)	-	5300 mm	-	5300 mm
Capacity (b)	-	20000 kg	-	20000 kg



# Container-Load weight and lift height (under twistlocks, without jacks)

## Toplift Handler – TL

<b>C-4230 TL / 5</b> 8' 6"	<b>C-4230 TL / 5</b> 9' 6"	<b>C-4531 TL / 5</b> 8' 6"	<b>C-4531 TL / 5</b> 9' 6"																																																																																																																										
<table border="1"> <tr><td>27</td><td></td><td>6 high</td><td>15900 mm</td></tr> <tr><td>37</td><td>25</td><td>5 high</td><td>14100 mm</td></tr> <tr><td>42</td><td>30</td><td>16</td><td>4 high</td><td>11350 mm</td></tr> <tr><td>42</td><td>30</td><td>16</td><td></td><td></td></tr> <tr><td>42</td><td>30</td><td>16</td><td></td><td></td></tr> <tr><td>42</td><td>30</td><td>16</td><td></td><td></td></tr> <tr><td>L1</td><td>L2</td><td>L3</td><td></td><td></td></tr> </table>	27		6 high	15900 mm	37	25	5 high	14100 mm	42	30	16	4 high	11350 mm	42	30	16			42	30	16			42	30	16			L1	L2	L3			<table border="1"> <tr><td>34</td><td></td><td>5 high</td><td>15900 mm</td></tr> <tr><td>42</td><td>30</td><td>4 high</td><td>14100 mm</td></tr> <tr><td>42</td><td>30</td><td>16</td><td>3 high</td><td>11350 mm</td></tr> <tr><td>42</td><td>30</td><td>16</td><td></td><td></td></tr> <tr><td>42</td><td>30</td><td>16</td><td></td><td></td></tr> <tr><td>L1</td><td>L2</td><td>L3</td><td></td><td></td></tr> </table>	34		5 high	15900 mm	42	30	4 high	14100 mm	42	30	16	3 high	11350 mm	42	30	16			42	30	16			L1	L2	L3			<table border="1"> <tr><td>35</td><td></td><td>6 high</td><td>15900 mm</td></tr> <tr><td>45</td><td>25</td><td>5 high</td><td>14100 mm</td></tr> <tr><td>45</td><td>31</td><td>16</td><td>4 high</td><td>11350 mm</td></tr> <tr><td>45</td><td>31</td><td>16</td><td></td><td></td></tr> <tr><td>45</td><td>31</td><td>16</td><td></td><td></td></tr> <tr><td>45</td><td>31</td><td>16</td><td></td><td></td></tr> <tr><td>L1</td><td>L2</td><td>L3</td><td></td><td></td></tr> </table>	35		6 high	15900 mm	45	25	5 high	14100 mm	45	31	16	4 high	11350 mm	45	31	16			45	31	16			45	31	16			L1	L2	L3			<table border="1"> <tr><td>45</td><td></td><td>5 high</td><td>15900 mm</td></tr> <tr><td>45</td><td>31</td><td>4 high</td><td>14100 mm</td></tr> <tr><td>45</td><td>31</td><td>16</td><td>3 high</td><td>11350 mm</td></tr> <tr><td>45</td><td>31</td><td>16</td><td></td><td></td></tr> <tr><td>45</td><td>31</td><td>16</td><td></td><td></td></tr> <tr><td>L1</td><td>L2</td><td>L3</td><td></td><td></td></tr> </table>	45		5 high	15900 mm	45	31	4 high	14100 mm	45	31	16	3 high	11350 mm	45	31	16			45	31	16			L1	L2	L3		
27		6 high	15900 mm																																																																																																																										
37	25	5 high	14100 mm																																																																																																																										
42	30	16	4 high	11350 mm																																																																																																																									
42	30	16																																																																																																																											
42	30	16																																																																																																																											
42	30	16																																																																																																																											
L1	L2	L3																																																																																																																											
34		5 high	15900 mm																																																																																																																										
42	30	4 high	14100 mm																																																																																																																										
42	30	16	3 high	11350 mm																																																																																																																									
42	30	16																																																																																																																											
42	30	16																																																																																																																											
L1	L2	L3																																																																																																																											
35		6 high	15900 mm																																																																																																																										
45	25	5 high	14100 mm																																																																																																																										
45	31	16	4 high	11350 mm																																																																																																																									
45	31	16																																																																																																																											
45	31	16																																																																																																																											
45	31	16																																																																																																																											
L1	L2	L3																																																																																																																											
45		5 high	15900 mm																																																																																																																										
45	31	4 high	14100 mm																																																																																																																										
45	31	16	3 high	11350 mm																																																																																																																									
45	31	16																																																																																																																											
45	31	16																																																																																																																											
L1	L2	L3																																																																																																																											
<b>C-4234 TL / 5</b> 8' 6"	<b>C-4234 TL / 5</b> 9' 6"	<b>C-4535 TL / 5</b> 8' 6"	<b>C-4535 TL / 5</b> 9' 6"																																																																																																																										
<table border="1"> <tr><td>27</td><td></td><td>6 high R1</td><td>15900 mm</td></tr> <tr><td>37</td><td>25</td><td>5 high R2</td><td>14100 mm</td></tr> <tr><td>42</td><td>34</td><td>17</td><td>4 high R3</td><td>11350 mm</td></tr> <tr><td>42</td><td>34</td><td>17</td><td></td><td></td></tr> <tr><td>42</td><td>34</td><td>17</td><td></td><td></td></tr> <tr><td>42</td><td>34</td><td>17</td><td></td><td></td></tr> <tr><td>L1</td><td>L2</td><td>L3</td><td></td><td></td></tr> </table>	27		6 high R1	15900 mm	37	25	5 high R2	14100 mm	42	34	17	4 high R3	11350 mm	42	34	17			42	34	17			42	34	17			L1	L2	L3			<table border="1"> <tr><td>34</td><td></td><td>5 high</td><td>15900 mm</td></tr> <tr><td>42</td><td>31</td><td>4 high</td><td>14100 mm</td></tr> <tr><td>42</td><td>34</td><td>17</td><td>3 high</td><td>11350 mm</td></tr> <tr><td>42</td><td>34</td><td>17</td><td></td><td></td></tr> <tr><td>42</td><td>34</td><td>17</td><td></td><td></td></tr> <tr><td>L1</td><td>L2</td><td>L3</td><td></td><td></td></tr> </table>	34		5 high	15900 mm	42	31	4 high	14100 mm	42	34	17	3 high	11350 mm	42	34	17			42	34	17			L1	L2	L3			<table border="1"> <tr><td>35</td><td></td><td>6 high R1</td><td>16000 mm</td></tr> <tr><td>45</td><td>32</td><td>5 high R2</td><td>14200 mm</td></tr> <tr><td>45</td><td>35</td><td>19</td><td>4 high R3</td><td>11550 mm</td></tr> <tr><td>45</td><td>35</td><td>19</td><td></td><td></td></tr> <tr><td>45</td><td>35</td><td>19</td><td></td><td></td></tr> <tr><td>45</td><td>35</td><td>19</td><td></td><td></td></tr> <tr><td>L1</td><td>L2</td><td>L3</td><td></td><td></td></tr> </table>	35		6 high R1	16000 mm	45	32	5 high R2	14200 mm	45	35	19	4 high R3	11550 mm	45	35	19			45	35	19			45	35	19			L1	L2	L3			<table border="1"> <tr><td>45</td><td></td><td>5 high R1</td><td>16000 mm</td></tr> <tr><td>45</td><td>35</td><td>4 high R2</td><td>14200 mm</td></tr> <tr><td>45</td><td>35</td><td>19</td><td>3 high R3</td><td>11550 mm</td></tr> <tr><td>45</td><td>35</td><td>19</td><td></td><td></td></tr> <tr><td>45</td><td>35</td><td>19</td><td></td><td></td></tr> <tr><td>L1</td><td>L2</td><td>L3</td><td></td><td></td></tr> </table>	45		5 high R1	16000 mm	45	35	4 high R2	14200 mm	45	35	19	3 high R3	11550 mm	45	35	19			45	35	19			L1	L2	L3		
27		6 high R1	15900 mm																																																																																																																										
37	25	5 high R2	14100 mm																																																																																																																										
42	34	17	4 high R3	11350 mm																																																																																																																									
42	34	17																																																																																																																											
42	34	17																																																																																																																											
42	34	17																																																																																																																											
L1	L2	L3																																																																																																																											
34		5 high	15900 mm																																																																																																																										
42	31	4 high	14100 mm																																																																																																																										
42	34	17	3 high	11350 mm																																																																																																																									
42	34	17																																																																																																																											
42	34	17																																																																																																																											
L1	L2	L3																																																																																																																											
35		6 high R1	16000 mm																																																																																																																										
45	32	5 high R2	14200 mm																																																																																																																										
45	35	19	4 high R3	11550 mm																																																																																																																									
45	35	19																																																																																																																											
45	35	19																																																																																																																											
45	35	19																																																																																																																											
L1	L2	L3																																																																																																																											
45		5 high R1	16000 mm																																																																																																																										
45	35	4 high R2	14200 mm																																																																																																																										
45	35	19	3 high R3	11550 mm																																																																																																																									
45	35	19																																																																																																																											
45	35	19																																																																																																																											
L1	L2	L3																																																																																																																											
<b>C-4540 TL / 5</b> 8' 6"	<b>C-4540 TL / 5</b> 9' 6"																																																																																																																												
<table border="1"> <tr><td>35</td><td></td><td>6 high R1</td><td>16000 mm</td></tr> <tr><td>45</td><td>37</td><td>5 high R2</td><td>14200 mm</td></tr> <tr><td>45</td><td>40</td><td>21</td><td>4 high R3</td><td>11550 mm</td></tr> <tr><td>45</td><td>40</td><td>21</td><td></td><td></td></tr> <tr><td>45</td><td>40</td><td>21</td><td></td><td></td></tr> <tr><td>45</td><td>40</td><td>21</td><td></td><td></td></tr> <tr><td>L1</td><td>L2</td><td>L3</td><td></td><td></td></tr> </table>	35		6 high R1	16000 mm	45	37	5 high R2	14200 mm	45	40	21	4 high R3	11550 mm	45	40	21			45	40	21			45	40	21			L1	L2	L3			<table border="1"> <tr><td>45</td><td></td><td>5 high R1</td><td>16000 mm</td></tr> <tr><td>45</td><td>40</td><td>4 high R2</td><td>14200 mm</td></tr> <tr><td>45</td><td>40</td><td>21</td><td>3 high R3</td><td>11550 mm</td></tr> <tr><td>45</td><td>40</td><td>21</td><td></td><td></td></tr> <tr><td>45</td><td>40</td><td>21</td><td></td><td></td></tr> <tr><td>L1</td><td>L2</td><td>L3</td><td></td><td></td></tr> </table>	45		5 high R1	16000 mm	45	40	4 high R2	14200 mm	45	40	21	3 high R3	11550 mm	45	40	21			45	40	21			L1	L2	L3																																																																	
35		6 high R1	16000 mm																																																																																																																										
45	37	5 high R2	14200 mm																																																																																																																										
45	40	21	4 high R3	11550 mm																																																																																																																									
45	40	21																																																																																																																											
45	40	21																																																																																																																											
45	40	21																																																																																																																											
L1	L2	L3																																																																																																																											
45		5 high R1	16000 mm																																																																																																																										
45	40	4 high R2	14200 mm																																																																																																																										
45	40	21	3 high R3	11550 mm																																																																																																																									
45	40	21																																																																																																																											
45	40	21																																																																																																																											
L1	L2	L3																																																																																																																											

## Combination Handler – CH

<b>C-4026 CH / 5</b> 8' 6"	<b>C-4026 CH / 5</b> 9' 6"	<b>C-4127 CH / 5</b> 8' 6"	<b>C-4127 CH / 5</b> 9' 6"																																																																																																																			
<table border="1"> <tr><td>33</td><td>22</td><td>5 high R1</td><td>15575 mm</td></tr> <tr><td>40</td><td>26</td><td>12</td><td>5 high R2</td><td>13775 mm</td></tr> <tr><td>40</td><td>26</td><td>12</td><td>4 high R3</td><td>11025 mm</td></tr> <tr><td>40</td><td>26</td><td>12</td><td></td><td></td></tr> <tr><td>40</td><td>26</td><td>12</td><td></td><td></td></tr> <tr><td>L1</td><td>L2</td><td>L3</td><td></td><td></td></tr> </table>	33	22	5 high R1	15575 mm	40	26	12	5 high R2	13775 mm	40	26	12	4 high R3	11025 mm	40	26	12			40	26	12			L1	L2	L3			<table border="1"> <tr><td>29</td><td></td><td>5 high R1</td><td>15575 mm</td></tr> <tr><td>40</td><td>26</td><td>4 high R2</td><td>13780 mm</td></tr> <tr><td>40</td><td>26</td><td>12</td><td>3 high R3</td><td>11050 mm</td></tr> <tr><td>40</td><td>26</td><td>12</td><td></td><td></td></tr> <tr><td>40</td><td>26</td><td>12</td><td></td><td></td></tr> <tr><td>L1</td><td>L2</td><td>L3</td><td></td><td></td></tr> </table>	29		5 high R1	15575 mm	40	26	4 high R2	13780 mm	40	26	12	3 high R3	11050 mm	40	26	12			40	26	12			L1	L2	L3			<table border="1"> <tr><td>34</td><td>23</td><td>5 high R1</td><td>15575 mm</td></tr> <tr><td>41</td><td>27</td><td>12</td><td>5 high R2</td><td>13775 mm</td></tr> <tr><td>41</td><td>27</td><td>12</td><td>4 high R3</td><td>11025 mm</td></tr> <tr><td>41</td><td>27</td><td>12</td><td></td><td></td></tr> <tr><td>41</td><td>27</td><td>12</td><td></td><td></td></tr> <tr><td>L1</td><td>L2</td><td>L3</td><td></td><td></td></tr> </table>	34	23	5 high R1	15575 mm	41	27	12	5 high R2	13775 mm	41	27	12	4 high R3	11025 mm	41	27	12			41	27	12			L1	L2	L3			<table border="1"> <tr><td>30</td><td></td><td>5 high R1</td><td>15575 mm</td></tr> <tr><td>41</td><td>27</td><td>4 high R2</td><td>13780 mm</td></tr> <tr><td>41</td><td>27</td><td>12</td><td>3 high R3</td><td>11050 mm</td></tr> <tr><td>41</td><td>27</td><td>12</td><td></td><td></td></tr> <tr><td>41</td><td>27</td><td>12</td><td></td><td></td></tr> <tr><td>L1</td><td>L2</td><td>L3</td><td></td><td></td></tr> </table>	30		5 high R1	15575 mm	41	27	4 high R2	13780 mm	41	27	12	3 high R3	11050 mm	41	27	12			41	27	12			L1	L2	L3			
33	22	5 high R1	15575 mm																																																																																																																			
40	26	12	5 high R2	13775 mm																																																																																																																		
40	26	12	4 high R3	11025 mm																																																																																																																		
40	26	12																																																																																																																				
40	26	12																																																																																																																				
L1	L2	L3																																																																																																																				
29		5 high R1	15575 mm																																																																																																																			
40	26	4 high R2	13780 mm																																																																																																																			
40	26	12	3 high R3	11050 mm																																																																																																																		
40	26	12																																																																																																																				
40	26	12																																																																																																																				
L1	L2	L3																																																																																																																				
34	23	5 high R1	15575 mm																																																																																																																			
41	27	12	5 high R2	13775 mm																																																																																																																		
41	27	12	4 high R3	11025 mm																																																																																																																		
41	27	12																																																																																																																				
41	27	12																																																																																																																				
L1	L2	L3																																																																																																																				
30		5 high R1	15575 mm																																																																																																																			
41	27	4 high R2	13780 mm																																																																																																																			
41	27	12	3 high R3	11050 mm																																																																																																																		
41	27	12																																																																																																																				
41	27	12																																																																																																																				
L1	L2	L3																																																																																																																				
<b>C-4527 CH / 5</b> 8' 6"	<b>C-4127 CH / 5</b> 9' 6"	<b>C-4030 CH / 5</b> 8' 6"	<b>C-4030 CH / 5</b> 9' 6"																																																																																																																			
<table border="1"> <tr><td>38</td><td>23</td><td>5 high R1</td><td>15575 mm</td></tr> <tr><td>45</td><td>27</td><td>12</td><td>5 high R2</td><td>13775 mm</td></tr> <tr><td>45</td><td>27</td><td>12</td><td>4 high R3</td><td>11025 mm</td></tr> <tr><td>45</td><td>27</td><td>12</td><td></td><td></td></tr> <tr><td>45</td><td>27</td><td>12</td><td></td><td></td></tr> <tr><td>L1</td><td>L2</td><td>L3</td><td></td><td></td></tr> </table>	38	23	5 high R1	15575 mm	45	27	12	5 high R2	13775 mm	45	27	12	4 high R3	11025 mm	45	27	12			45	27	12			L1	L2	L3			<table border="1"> <tr><td>34</td><td>23</td><td>5 high R1</td><td>15575 mm</td></tr> <tr><td>45</td><td>27</td><td>12</td><td>4 high R2</td><td>13775 mm</td></tr> <tr><td>45</td><td>27</td><td>12</td><td>3 high R3</td><td>11025 mm</td></tr> <tr><td>45</td><td>27</td><td>12</td><td></td><td></td></tr> <tr><td>45</td><td>27</td><td>12</td><td></td><td></td></tr> <tr><td>L1</td><td>L2</td><td>L3</td><td></td><td></td></tr> </table>	34	23	5 high R1	15575 mm	45	27	12	4 high R2	13775 mm	45	27	12	3 high R3	11025 mm	45	27	12			45	27	12			L1	L2	L3			<table border="1"> <tr><td>33</td><td>22</td><td>5 high R1</td><td>15575 mm</td></tr> <tr><td>40</td><td>30</td><td>13</td><td>4 high R2</td><td>13780 mm</td></tr> <tr><td>40</td><td>30</td><td>13</td><td>5 high R2</td><td>11050 mm</td></tr> <tr><td>40</td><td>30</td><td>13</td><td></td><td></td></tr> <tr><td>40</td><td>30</td><td>13</td><td></td><td></td></tr> <tr><td>L1</td><td>L2</td><td>L3</td><td></td><td></td></tr> </table>	33	22	5 high R1	15575 mm	40	30	13	4 high R2	13780 mm	40	30	13	5 high R2	11050 mm	40	30	13			40	30	13			L1	L2	L3			<table border="1"> <tr><td>29</td><td></td><td>5 high R1</td><td>15575 mm</td></tr> <tr><td>40</td><td>26</td><td>4 high R2</td><td>13780 mm</td></tr> <tr><td>40</td><td>30</td><td>13</td><td>3 high R3</td><td>11050 mm</td></tr> <tr><td>40</td><td>30</td><td>13</td><td></td><td></td></tr> <tr><td>40</td><td>30</td><td>13</td><td></td><td></td></tr> <tr><td>L1</td><td>L2</td><td>L3</td><td></td><td></td></tr> </table>	29		5 high R1	15575 mm	40	26	4 high R2	13780 mm	40	30	13	3 high R3	11050 mm	40	30	13			40	30	13			L1	L2	L3		
38	23	5 high R1	15575 mm																																																																																																																			
45	27	12	5 high R2	13775 mm																																																																																																																		
45	27	12	4 high R3	11025 mm																																																																																																																		
45	27	12																																																																																																																				
45	27	12																																																																																																																				
L1	L2	L3																																																																																																																				
34	23	5 high R1	15575 mm																																																																																																																			
45	27	12	4 high R2	13775 mm																																																																																																																		
45	27	12	3 high R3	11025 mm																																																																																																																		
45	27	12																																																																																																																				
45	27	12																																																																																																																				
L1	L2	L3																																																																																																																				
33	22	5 high R1	15575 mm																																																																																																																			
40	30	13	4 high R2	13780 mm																																																																																																																		
40	30	13	5 high R2	11050 mm																																																																																																																		
40	30	13																																																																																																																				
40	30	13																																																																																																																				
L1	L2	L3																																																																																																																				
29		5 high R1	15575 mm																																																																																																																			
40	26	4 high R2	13780 mm																																																																																																																			
40	30	13	3 high R3	11050 mm																																																																																																																		
40	30	13																																																																																																																				
40	30	13																																																																																																																				
L1	L2	L3																																																																																																																				
<b>C-4531 CH / 5</b> 8' 6"	<b>C-4531 CH / 5</b> 9' 6"	<b>C-4535 CH / 5</b> 8' 6"	<b>C-4535 CH / 5</b> 9' 6"																																																																																																																			
<table border="1"> <tr><td>41</td><td>27</td><td>5 high R1</td><td>15675 mm</td></tr> <tr><td>45</td><td>31</td><td>15</td><td>5 high R2</td><td>13880 mm</td></tr> <tr><td>45</td><td>31</td><td>15</td><td>4 high R3</td><td>11150 mm</td></tr> <tr><td>45</td><td>31</td><td>15</td><td></td><td></td></tr> <tr><td>45</td><td>31</td><td>15</td><td></td><td></td></tr> <tr><td>L1</td><td>L2</td><td>L3</td><td></td><td></td></tr> </table>	41	27	5 high R1	15675 mm	45	31	15	5 high R2	13880 mm	45	31	15	4 high R3	11150 mm	45	31	15			45	31	15			L1	L2	L3			<table border="1"> <tr><td>36</td><td></td><td>5 high R1</td><td>15675 mm</td></tr> <tr><td>45</td><td>31</td><td>4 high R2</td><td>13880 mm</td></tr> <tr><td>45</td><td>31</td><td>15</td><td>3 high R3</td><td>11150 mm</td></tr> <tr><td>45</td><td>31</td><td>15</td><td></td><td></td></tr> <tr><td>45</td><td>31</td><td>15</td><td></td><td></td></tr> <tr><td>L1</td><td>L2</td><td>L3</td><td></td><td></td></tr> </table>	36		5 high R1	15675 mm	45	31	4 high R2	13880 mm	45	31	15	3 high R3	11150 mm	45	31	15			45	31	15			L1	L2	L3			<table border="1"> <tr><td>45</td><td>31</td><td>5 high R1</td><td>15675 mm</td></tr> <tr><td>45</td><td>35</td><td>16</td><td>5 high R2</td><td>13880 mm</td></tr> <tr><td>45</td><td>35</td><td>16</td><td>4 high R3</td><td>11150 mm</td></tr> <tr><td>45</td><td>35</td><td>16</td><td></td><td></td></tr> <tr><td>45</td><td>35</td><td>16</td><td></td><td></td></tr> <tr><td>L1</td><td>L2</td><td>L3</td><td></td><td></td></tr> </table>	45	31	5 high R1	15675 mm	45	35	16	5 high R2	13880 mm	45	35	16	4 high R3	11150 mm	45	35	16			45	35	16			L1	L2	L3			<table border="1"> <tr><td>43</td><td></td><td>5 high R1</td><td>15675 mm</td></tr> <tr><td>45</td><td>35</td><td>4 high R2</td><td>13880 mm</td></tr> <tr><td>45</td><td>35</td><td>16</td><td>3 high R3</td><td>11150 mm</td></tr> <tr><td>45</td><td>35</td><td>16</td><td></td><td></td></tr> <tr><td>45</td><td>35</td><td>16</td><td></td><td></td></tr> <tr><td>L1</td><td>L2</td><td>L3</td><td></td><td></td></tr> </table>	43		5 high R1	15675 mm	45	35	4 high R2	13880 mm	45	35	16	3 high R3	11150 mm	45	35	16			45	35	16			L1	L2	L3			
41	27	5 high R1	15675 mm																																																																																																																			
45	31	15	5 high R2	13880 mm																																																																																																																		
45	31	15	4 high R3	11150 mm																																																																																																																		
45	31	15																																																																																																																				
45	31	15																																																																																																																				
L1	L2	L3																																																																																																																				
36		5 high R1	15675 mm																																																																																																																			
45	31	4 high R2	13880 mm																																																																																																																			
45	31	15	3 high R3	11150 mm																																																																																																																		
45	31	15																																																																																																																				
45	31	15																																																																																																																				
L1	L2	L3																																																																																																																				
45	31	5 high R1	15675 mm																																																																																																																			
45	35	16	5 high R2	13880 mm																																																																																																																		
45	35	16	4 high R3	11150 mm																																																																																																																		
45	35	16																																																																																																																				
45	35	16																																																																																																																				
L1	L2	L3																																																																																																																				
43		5 high R1	15675 mm																																																																																																																			
45	35	4 high R2	13880 mm																																																																																																																			
45	35	16	3 high R3	11150 mm																																																																																																																		
45	35	16																																																																																																																				
45	35	16																																																																																																																				
L1	L2	L3																																																																																																																				

# Standard equipment/Optional equipment

## Standard equipment

Fully equipped driver's cabin with hinged doors; wipers and washers for windscreen, rear screen and overhead screen, heater and demister

Hydraulically driven, forward moving cabin with rear safety exit window (CH-Combi-Handler models + 2nd Rail 7mtr wheelbase)

Hydraulic-suspension comfort-class seat with wide range of adjustment

Proportional hydraulic function lever enabling precise load positioning with automatic anti-stall function

Adjustable angle and height steering wheel

Effortless hydrostatic power steering; lock-to-lock at standstill

Engine intake air cleaner with integrated safety element

High performance hydraulic filters preserving maximum purity of oil for long life of all hydraulic components

Power on-demand working hydraulics, oil supply by twin-pump installation

Overload safety device; measures load weight and position

Data transfer modem for remote truck diagnostics and fault warning

Comprehensive head-up display; monitors all key components including fuel gauge, clock, hour meter and control lamps, lamps for all important truck functions, TL/CH operation display.

Central master warning light

Modern diesel engine with electronically controlled single-rail fuel injection system meeting European and international emission regulations

Heavy-duty automatic 4-speed electronic powershift transmission with integrated safety protection; downshift, forward/reverse interlock

Robust double hub reduction drive axle, incorporating oil bath type multi-disk brakes with zero maintenance requirements

Regenerative hydraulic system for lift and extension system

5 high stacking boom (6 high 8' 6" containers)

Abundant storage space for writing, materials, beverage cans, etc.

Pneumatic tyres

Telescopic toplift spreader (TL – Toplift models)

Telescopic toplift spreader with folding lifting arms and manual extension stops at 20' – 24' – 30' – 40' (CH – Combi-Handler models)

Rotation 105 degrees-/-195 degrees

Sideshift 800mm +/-

Road lighting with boom support mounted reverse lights and audible warning

Front mudguard mounted working lights 2 pairs

Boom support mounted rear left-/-right working lights

Boom mounted working lights 2 pairs

Reverse driving mirrors – chassis mounted

Interior rearview mirror

Battery isolator switch with removeable key

Low step left & right (18:00 x 33 tyres)

Automatic handbrake

## Optional equipment

Hydraulically driven, forward moving cabin with rear safety exit window (TL – Toplift models)

Climate control

Cabin pre-heat system – fuel burning or electrical

Central greasing system – chassis, chassis & boom, chassis boom & spreader

High level air intake – cabin (heater system only)

Heated operators seat

Additional seat

Tinted glass

Sliding window – right side

Air suspension seat with compressor

Vertical lift

Joystick steering or mini-wheel steering systems

Electrical socket in cab – 12volt

4 high stacking boom

Heated reverse driving mirrors

Panoramic interior mirror

Radio with compact disc unit and speakers

Spreader mounted working lights 2 or 4

Rotating beacon or flashing beacon

Manual extension stops 20/24/40 or 20/24/30/40 or 20/30/40 (TL – Toplift models)

Sun blind – front and top

Fire extinguisher (2-kg)

Engine coolant heater

Hydraulic tank heater

Brake tank heater

Counterweight mounted camera with colour monitor

Handrails – on steps left & right, on chassis top right

Low step left & right (18:00 x 25 tyres)

Custom paintwork

# Features



## Load sensing hydraulics

- Highly efficient variable displacement pumps
- Metered oil for function selected
- Synchronised with truck load and operational conditions for optimised performance

## Linde load management

- Head-up twistlock status display
- Toplift mounted 'flags' for instant verification
- Interlocked spreader twistlocks prevent accidental release of container
- Lift sensors prevent inadvertent lowering when toplift is seated
- Continuous fault monitoring

## Power and drive system

- Powerful yet fuel efficient
- Advanced, low revving, high torque six cylinder diesel engine
- 4 speed electronically controlled transmission
- Reversing interlock and speed controlled downshift protection
- Wide-track drive axle with oil actuated wet disc brake system

## Stable, robust chassis

- Rugged, low profile chassis with excellent torsional resistance and impressive stability
- High cab position provides optimised all-round visibility.
- Heavy gauge steel side panels for optimum impact resistance and long life
- Exceptionally robust telescopic stacking boom for safe, assured load handling

## Modern powerful engine

- Diesel motor stage III emissions
- Turbocharger and Intercooler
- 6 cylinder - 11 litre
- 250 kW (335 bhp) @ 2100 rpm or 280 kW (375 bhp)
- maximum torque 1674 @ 1100 rpm



## Operators compartment

- Full suspension, fully adjustable comfort-class seat
- Linde multi-function, electronically-controlled joystick integrated into adjustable armrest
- Forced air heating and ventilation system
- Adjustable steering column
- Comprehensive instrument display in-line-of-sight
- Auxilliary switches within easy reach

## Comprehensive display

- Languages - 8 european
- Engine - water temperature, oil pressure, tachometer, engine torque
- Transmission - oil pressure and temperature
- Hydraulic & Brake - oil temperature
- Fuel - level and rate of use
- Electrical - battery state
- Air - cleaner restriction warning

## Telescopic spreader

- 20' to 40' extension
- Rotation 105/195 degrees
- Twin sideshift cylinders
- Sideshift 800mm +/-
- Mechanical slope pile +/-2 degrees
- Twin brake hub units
- Twistlock safety interlock

Subject to modification in the interests of engineering progress. Illustrations and technical details non-binding for actual construction. All measurements subject to customary tolerances.