

MAX-8

V2107.01



MAX-8

Excellent Performances & Reliability

CPCD45T8/CPCD50T8-X

T8 Diesel Forklift 4.5/5.0t

EP EQUIPMENT CO.,LTD
www.ep-ep.com



CPCD45T8/CPCD50T8-X

T8 Diesel Forklift 4.5/5.0t

General		EP			
1	Manufacture	CPCD45T8	CPCD50T8-X	CPCD45T8	CPCD50T8-X
2	Model	Diesel	Diesel	Diesel	Diesel
3	Power type	4500	5000	4500	5000
4	Rated capacity	500	500	500	500
5	Load center	3000	3000	3000	3000
6	Lift height	150	150	150	150
7	Free lift height	1070×150×55	1070×150×55	1070×150×55	1070×150×55
8	Fork size	6/10	6/10	6/10	6/10
9	Mast tilt range	565	565	565	565
10	Fork overhang(wheel center to fork face)	540	565	540	565
11	Rear overhang	3070	3095	3070	3095
12	Length to face of fork	1480	1480	1480	1480
13	Overall width	2265	2265	2265	2265
14	Mast lowered height	4250	4250	4250	4250
15	Mast extended height	2250	2250	2250	2250
16	Overhead guard height	2830	2860	2830	2860
17	Turning radius(outside)	3595	3625	3595	3625
18	Min.right angle stacking aisle width (Add load length and clearance)	22/20	22/20	22/20	22/20
19	Travel (No/Full load)	480/450	480/430	480/450	480/430
20	Speed	21000	21000	21000	21000
21	Lifting (No/Full load)	20	20	20	20
22	Max.Drawbar Pull (Full load)	300-15-14PR	300-15-14PR	300-15-14PR	300-15-14PR
23	Max.Gradeability (Full load)	700-12-12PR	700-12-12PR	700-12-12PR	700-12-12PR
24	Tyres	1180	1180	1180	1180
25	Front	1190	1190	1190	1190
26	Rear	2000	2000	2000	2000
27	Font	160/140	160/140	160/140	160/140
28	Rear	195/180	195/180	195/180	195/180
29	Wheelbase	6770	7050	6770	7050
30	Ground clearance	9805	10484	9805	10484
31	Self weight	1465	1566	1465	1566
32	Full load	3046	3172	3046	3172
33	Rear	3724	3878	3724	3878
34	Front	24/60	24/60	24/60	24/60
35	No load	SGS	SGS	SGS	SGS
36	Weight	MITSUBISHI	MITSUBISHI	MITSUBISHI	MITSUBISHI
37	Distribution	52/2300	55/2200	52/2300	55/2200
38	Rated output/r.p.m	248/1700	300/1600	248/1700	300/1600
39	Rated torque/r.p.m	6	4	6	4
40	No.of cylinder	94*120	94*100	94*120	98*115
41	Borex/Stroke	4996	2775	4996	3460
42	Displacement	90	OEM	90	OEM
43	Fuel tank capacity	PowerShift	PowerShift	PowerShift	PowerShift
44	Manufacture	2/1	2/1	2/1	2/1
45	Type	17.5	17.5	17.5	17.5
46	Stage				
47	FWD/RVS				
48	Operating pressure				

1.Special lifting height available for further information please contact us. 2.Attachment available.

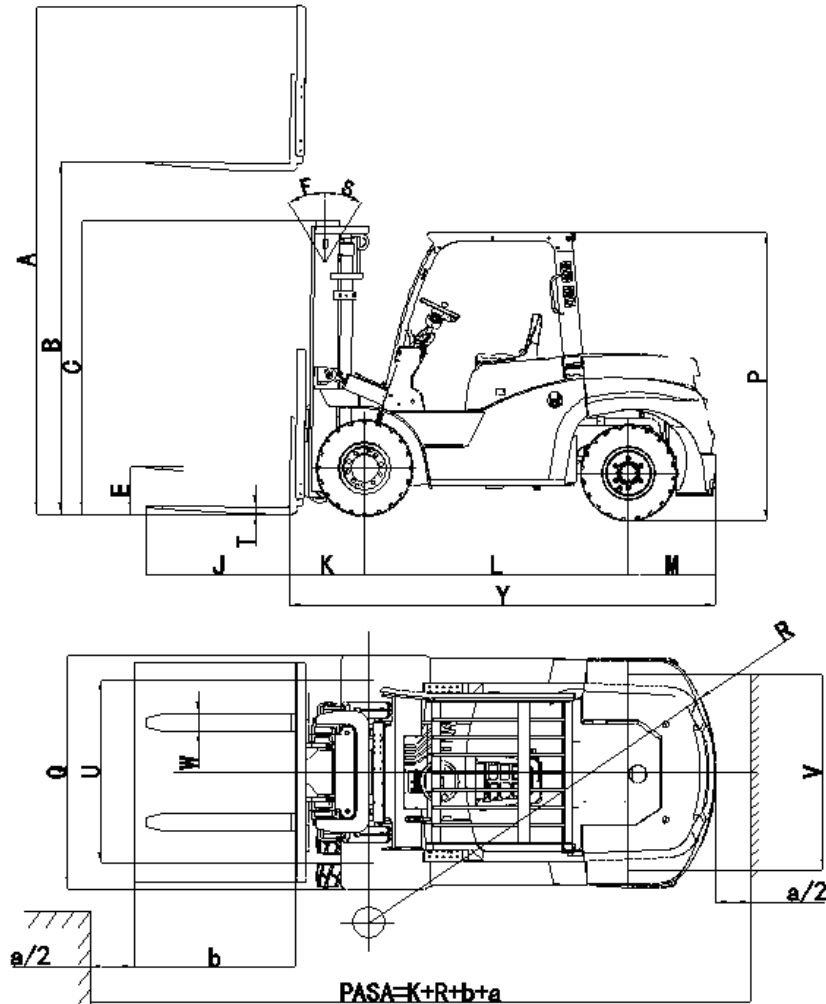
3.The specification in the table are for standard models only. For further information please contact us.

4.Specification are subject to change without notice.

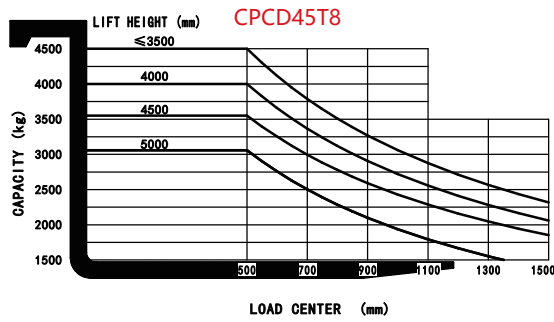
Mast Option

4.5/5.0t T8 series mast: (pneumatic)

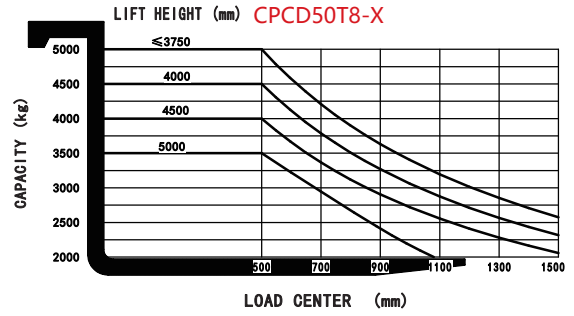
Type	Model	Max fork height	Overall height			Free lift		Front Overhang	Tilt range		Capacity	
			Lowered	Extended		Without backrest	With backrest		FWD	BWD	Load capacity at 500 mm	
				Without backrest	With backrest						4.5t	5.0t
			mm	mm	mm	mm	mm		mm	Deg	Deg	kg
Wide view mast	2W300	3000	2280	4175	3770	145	145	565	6	10	4500	5000
	2W330	3300	2430	4475	4070	145	145	565	6	10	4500	5000
	2W350	3500	2530	4675	4270	145	145	565	6	10	4500	5000
	2W370	3700	2630	4875	4470	145	145	565	6	10	4350	4800
	2W400	4000	2830	5175	4770	145	145	565	6	6	4250	4750
	2W425	4250	2955	5425	5020	145	145	565	6	6	3800	4250
	2W450	4500	3080	5675	5270	145	145	565	6	6	3150	3500
wide view full 2-stage mast	2F271	2710	2250	3885	3480	1055	1355	565	6	10	4500	5000
	2F300	3000	2395	4175	3770	1200	1500	565	6	10	4500	5000
	2F330	3300	2545	4475	4070	1350	1650	565	6	10	4500	5000
	2F350	3500	2645	4675	4270	1450	1750	565	6	10	4500	5000
wide view full 3-stage mast	3F400	4000	2080	4780	5200	1230	900	578	6	6	4000	4500
	3F435	4350	2195	5130	5550	1345	1015	578	6	6	3800	4250
	3F450	4500	2245	5280	5700	1395	1065	578	6	6	3600	4000
	3F470	4700	2310	5480	5900	1460	1130	578	6	6	3350	3750
	3F500	5000	2460	5780	6200	1610	1280	578	6	6	3150	3500
	3F550	5500	2680	6280	6700	1830	1500	578	3	6	2550	2850
3F600	6000	2845	6780	7200	1995	1665	578	3	6	1950	2200	



CAPACITY CHART



CAPACITY CHART



Option

Options	45T8	50T8-X
1 Fork length	○	○
2 Fork extension	○	○
3 Fold fork	○	○
4 Imported diesel engine	○	○
5 High exhaust	○	○
6 Dual air cleaners or special air cleaner	○	○
7 Solid rubber tire	○	○
8 No marking solid tire	○	○
9 Overhead guard	●	●
10 Mast options	○	○
11 Attachments	○	○
12 Integrated side shift	○	○
13 Cabin	○	○
14 Heater	○	○
15 Front windshield with wiper	○	○
16 Rear windshield with wiper	○	○
17 Fan	○	○
18 Cabin without side door	○	○
19 Fire extinguisher	○	○
20 Suspension seat	○	○
21 Front work light	●	●
22 Rear working LED light	○	○
23 OPS system	○	○

Note: ● standard ○ option — NA

