



EPT20-15ET

Electric Pallet Truck 1.5t

- 1st Innovative Design Ever
- Compact Size & Light Weight, Convenient for Operation
- Energy-saving & environment-friendly design maximizes running time
- Incredible Market Share Globally
- Can replace drive wheel only by releasing six nuts



And Replacement | BEFORE: 1 HOUR | NOW: 10 MINUTES

EP EQUIPMENT CO.,LTD
www.ep-equipment.com



FEATURE

■ Innovation:

1st Innovative Design Ever won the REDDOT award.



reddot design award
winner 2012

■ Light Weight, Great Capacity, Great Passingability:

Light weight & compact size create excellent maneuverability & passingability. 1500KG capacity handles most applications.



■ Anti-vibration Technology for Batteries:

Special anti-vibration technology extends maintenance-free battery life.

■ Cables:

Robot cables with excellent twist resistance offers longer life span.

■ Charger:

Charger with temperature indicator protects battery.

■ Operation:

Ergonomically-designed tiller head helps increase efficiency; Internal Charger for Easy Charging.

■ Safety:

Handy Emergency Disconnect Button & Durable Driving Unit ensure safety under any situation.

■ Serviceability:

Assembly Components, Easy for Diagnosis and Replacing.

Can replace drive wheel only by releasing six nuts

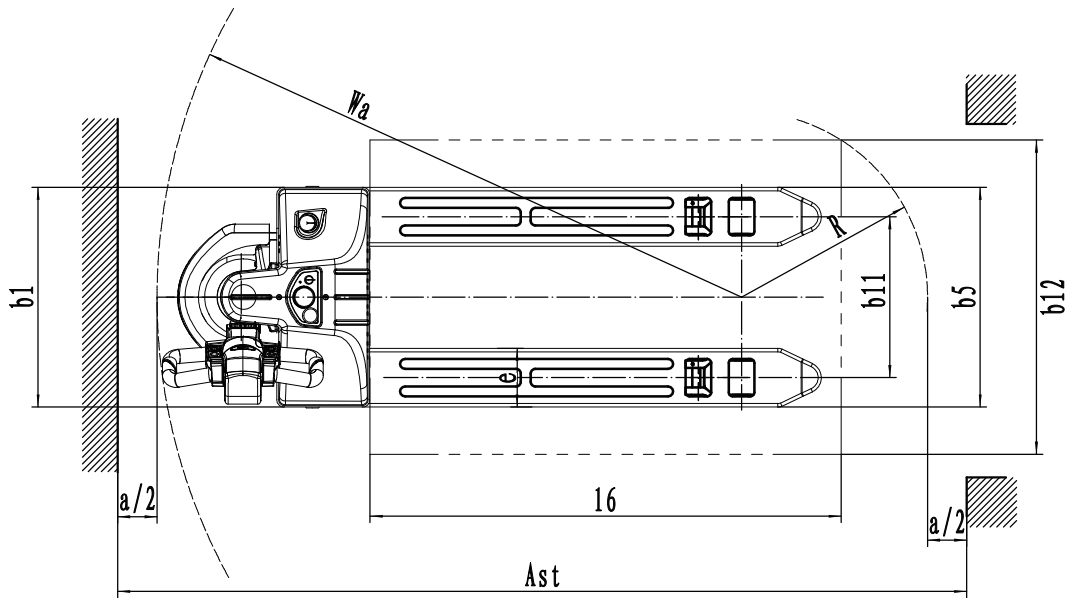
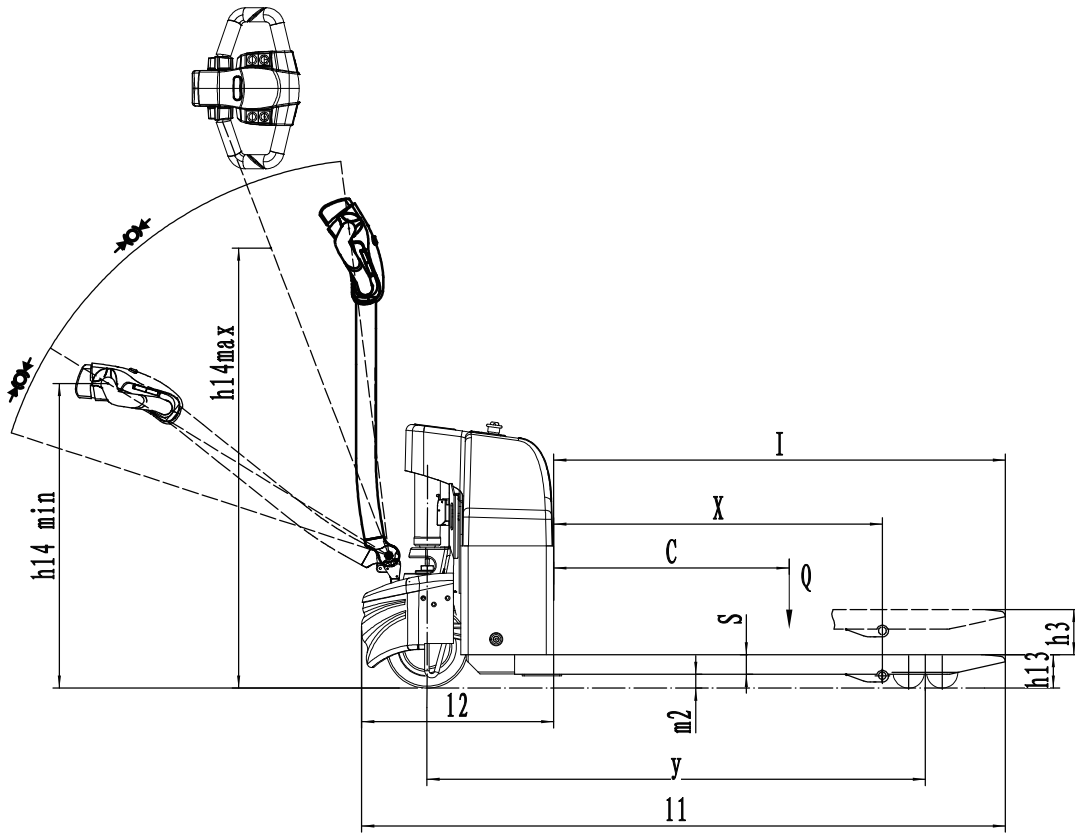


option

Electric Pallet Truck 1.5t EPT20-15ET

Distinguishing mark	1.1	Manufacturer			EP
	1.2	Model designation			EPT20-15ET
	1.3	Drive			Electric
	1.4	Operator type			Pedestrian
	1.5	Load capacity	Q	kg	1500
	1.6	Load center distance	c	mm	600
	1.8	Load distance, centre of drive axle to fork	x	mm	883/946
	1.9	Wheelbase	y	mm	1228/1268
	Service weight	2.1	Service weight		kg
2.2		Axle loading, laden front/rear		kg	574/1131
2.3		Axle loading, unladen front/rear		kg	165/40
Tyres/chassis	3.1	Tyre type			Polyurethane
	3.2.1	Tyre size, front		mm	Φ210x70
	3.3.1	Tyre size, rear		mm	Φ80x61 (Φ74x88)
	3.4	Additional wheels (castor wheels)		mm	—
	3.5	Wheels, number front/rear (x=drive wheels)		mm	1x, — /4
	3.6.1	Tread width, front	b10	mm	—
	3.7.1	Tread width, rear	b11	mm	410 (535)
Dimensions	4.4	Lift height	h3	mm	115
	4.9	Height of tiller handle in drive position min./max.	h14	mm	750/1170
	4.15	Lowered height	h13	mm	85 (75)
	4.19	Overall length	l1	mm	1632
	4.20	Length to face of forks	l2	mm	482
	4.21	Overall width	b1/b2	mm	560 (685)
	4.22	Fork dimensions	s/e/l	mm	50/150/1150
	4.25	Distance between fork-arms	b5	mm	560 (685)
	4.32	Ground clearance, center of wheelbase	m2	mm	35(25)
	4.34.1	Aisle width for pallets 1000×1200 crossways	Ast	mm	2290
4.34.2	Aisle width for pallets 800×1200 crossways	Ast	mm	2160	
4.35	Turning radius	Wa	mm	1485	
Performance data	5.1	Travel speed, laden/unladen		km/ h	4/4.5
	5.2	Lifting speed, laden/unladen		m/s	0.022/0.025
	5.3	Lowering speed, laden/unladen		m/s	0.034/0.023
	5.8	Max. gradeability, laden/unladen		%	5/16
	5.10	Service brake			Electromagnetic
Electric-engine	6.1	Drive motor rating S2 60 min		kW	0.65
	6.2	Lift motor rating at S3 15%		kW	0.84
	6.4	Battery voltage/nominal capacity		V/Ah	2x12V/85Ah
	6.5	Battery weight		kg	25.5x2
Addition data	8.1	Type of drive control			DC
	10.5	Steering design			Mechanical
	10.7	Sound pressure level at the driver's ear		dB(A)	74

If there are improvements of technical parameters or configurations, no further notice will be given.
The diagram shown may contain non-standard configurations.



Option

No.	Optional items	EPT20-15ET
1.1	Fork length	●1150○1000○1220
1.2	Fork width	●560○685
1.3	Fork lowered height	●85○75○60○40
1.4	Fork carriage width	○560○685
1.5	Fork carriage height	○1220mm (48in) ○1520mm (60in)
2.1	Load wheel type	●Double○Single
2.2	Load wheel material	●PU
2.3	Drive wheel material	●PU○Trace PU
2.7	Battery capacity	●85Ah
2.8	Charger	●24V-15A inside
2.9	Battery indicator	●Without time○With time
3.3	Castor wheels	●No○Yes
3.16	Vertical handler working	●No○Yes
4.4	Weighting system with fork	●Yes and not customized

Note: ●Standard ○ Optional - Inconformity

