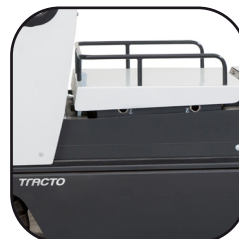


Electric towing tractor 15.0 ton

TRACTO

R-series

TE152



Electric towing tractor 15.0 ton

Truck specifications					TE152
Identification	1.1	Manufacturer			Toyota
	1.2	Model			TE152
	1.3	Drive			Electric
	1.4	Operator type			Sit-on
	1.5	Load capacity/rated load ¹⁾	Q	kg	15000
	1.7	Rated drawbar pull	F	N	3000
	1.9	Wheelbase	y	mm	1425
Weight	2.1	Service weight		kg	2260
	2.2	Axle load, with load, front/rear		kg	1450 / 1170
	2.3	Axle load, without load, front/rear		kg	1290 / 970
Wheels	3.1	Tyre - Cushion(Cu), Extra-elastic(SE), Pneumatic(Pn),Polyurethane			SE/Pn
	3.2	Wheel size, front			18x7x8
	3.3	Wheel size, rear			6.00-9
	3.5	Wheels, number front/rear (x = driven wheels)			2/2x
	3.6	Track width, front	b ₁₀	mm	894
	3.7	Track width, rear	b ₁₁	mm	1040
Dimensions	4.7	Height of cab	h ₆	mm	1860
	4.8	Seat height	h ₇	mm	850
	4.12	Coupling height	h ₁₀	mm	240 - 295 - 350 - 405
	4.13	Loading height, unloaded	h ₁₁	mm	825
	4.16	Length of loading surface	l ₃	mm	1282
	4.17	Overhang	l ₅	mm	365
	4.18	Width of loading surface	b ₉	mm	880
	4.19	Overall length	l ₁	mm	2660
	4.21	Overall width	b ₁	mm	1180
	4.32	Ground clearance, centre of wheelbase	m ₂	mm	130
	4.35	Turning radius	W _a	mm	2875
4.36	Internal turning radius	b ₁₃	mm	1241	
Performance data	5.1	Travel speed, with/without load		km/h	11 / 21
	5.6	Max. drawbar pull		N	10500
	5.7	Gradeability		%	See chart
	5.8	Max. gradeability loaded/unloaded		%	See chart
	5.10	Service / parking brake (I=Hydraulic E=Electromagnetic M=Mechanical)			I / E
	5.10.1	Type of service brake front/rear			Drum / mult. disks
Electric motor	6.1	Drive motor rating S2 60 min		kW	2 x 6,6
	6.3	Battery according to DIN 43531 / 35 / 36 A, B, C, no			43531 B
	6.4	Battery voltage, nominal capacity ²⁾	K ₅	V/Ah	48/ 525 - 575 - 625
	6.5	Battery weight		kg	812 - 857 - 898
	6.6	Energy consumption according to EN 16796		kWh/h	4,83
Others	8.1	Electronics control			2 inverter AC
	8.4	Sound level at driver's ear according to EN 12053		dB(A)	69

¹⁾ Loading surface capacity: 200 kg.

²⁾ Performances and weight are intended with 625 Ah battery.

As per VDI guidelines 2198, this datasheet applies to standard electric tractor / platform truck only.

Dimensions are not binding and can be changed in any moment. The performances must be intended for brand new machines, after having completed the running-in tested in Toyota factory in normal climatic conditions.

Performances and weight are to be intended with standard motors and battery and with pneumatic tires.

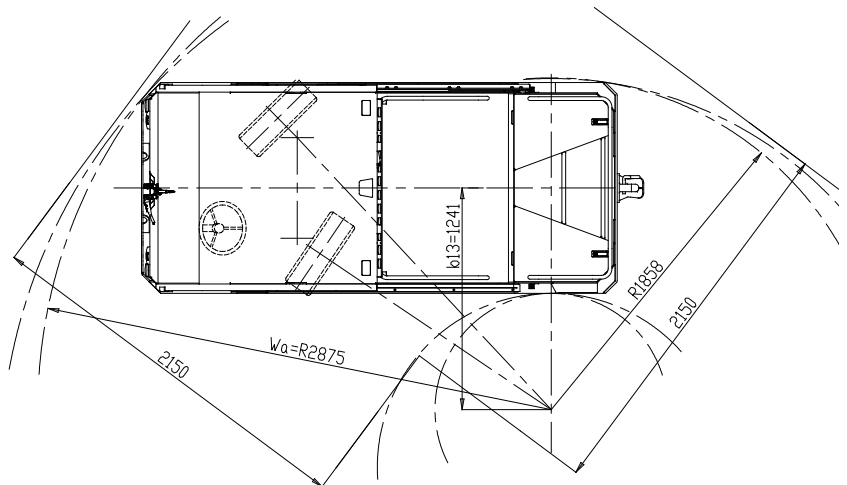
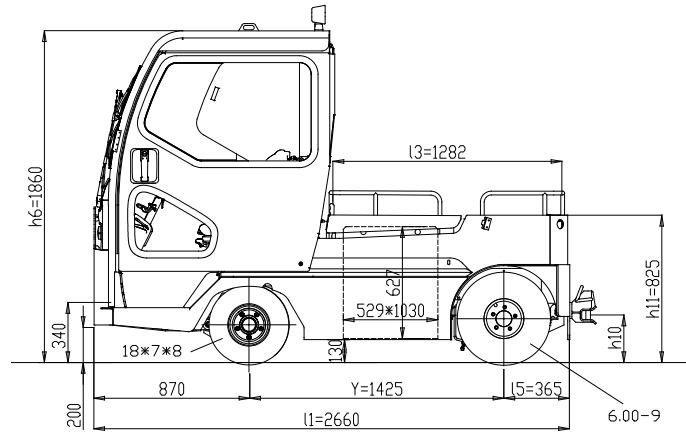
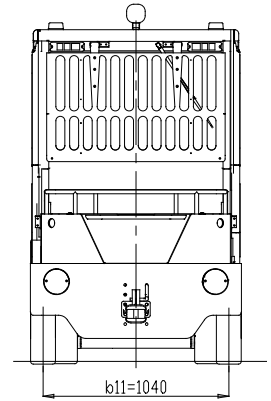
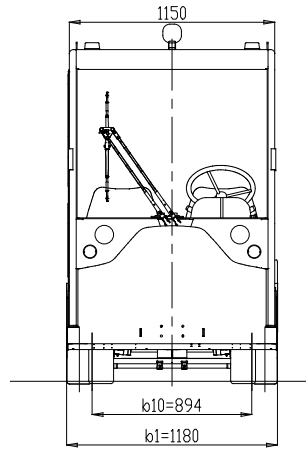
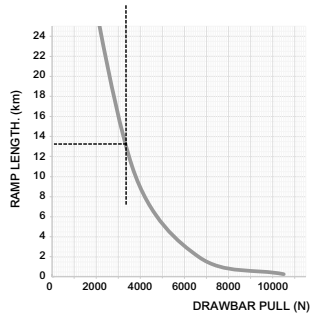
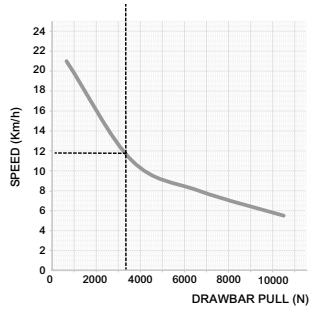
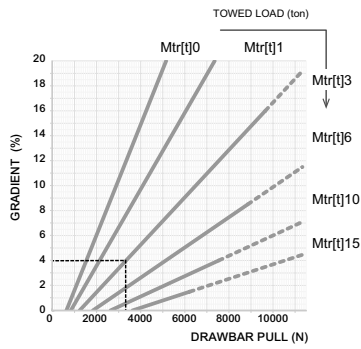
Some data can vary according to different equipments.

Towed weight

TRACTO

EXAMPLE OF GRAPH READING:

TOWED LOAD = 3 t
 GRADIENT (i) = 4 %
 DRAWBALL PUL (F) = 3350 N
 SPEED (V0) = 12 km/h
 MAX. PRACTIBLE RAMP LENGTH (s) = 13,5 km



Standard equipments:

- Inching buttons
- Operator presence system
- AC power system
- Pneumatic tyres
- Rear drawbar
- Automatic parking brake
- Regenerative braking
- Head and tail lights, turn signal lights
- Digital display
- Rear platform

